

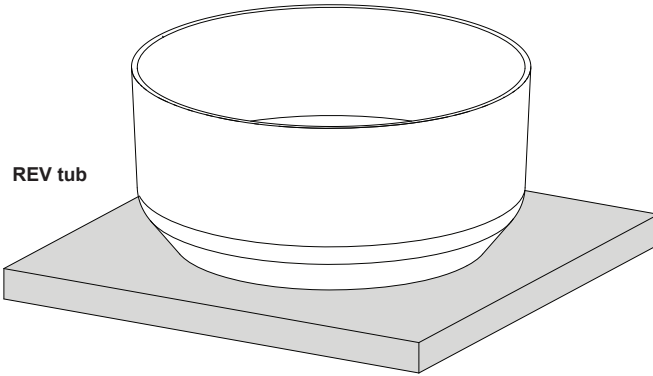
FIO Ø 125  
FREESTANDING

# DATA SHEET

**HAFRO**  
WELLNESS & SHOWER

L'installazione della vasca deve essere eseguita da personale abilitato per quanto riguarda il collegamento idraulico.

I valori di ingombro sono espressi in centimetri. Le dimensioni reali possono variare di  $\pm 0,5$  cm.

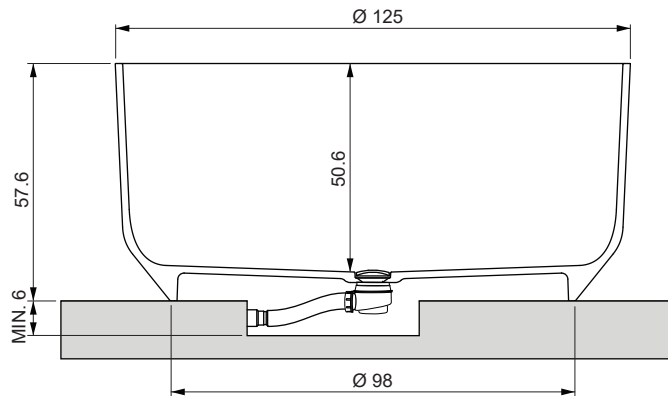
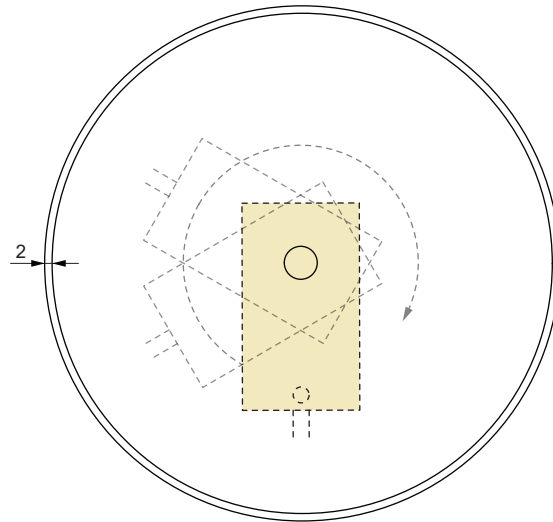


SYSTEMS	ELECTRICAL CHARACTERISTICS				VENTS		WATER CONT.		PACKAGING DIMENSIONS				WEIGHT (KG)	
	Volt	A	W	Hz	Whirl.	Airl.	Use	Max	Length	Width	Height	Volume	Net	Gross
Tub with frame	-	-	-	-	-	-	370 l	540 l	140	140	81	1.6	118	150

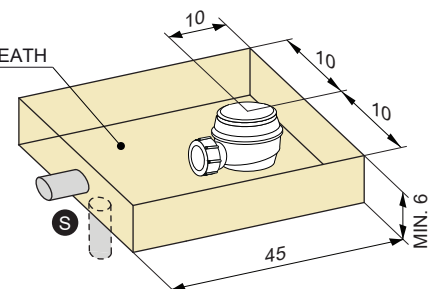
It is also important that the bath can be taken out at any time without having to do anything to the walls.

**WARNING:**

If all or even part of the above described conditions are not complied with the safety of the whirlpool bath cannot be guaranteed and, as such, not only is the guarantee invalidated but also the manufacturer can in no way be held liable for any direct or indirect damages caused by the bath. In those cases where such conditions are not complied with, the guarantee will only cover the substitution of parts deemed defective and not the labour needed if the bath has to be removed.



PROVIDE FOR A WATERPROOF SHEATH



**LEGEND**

S - Drain Ø40 mm.

**NOTE**

- For hot and cold water connections see the technical data sheet of the floor-standing tap.