

Cod. 8HA00102 OUTDOOR SHOWER COLUMN

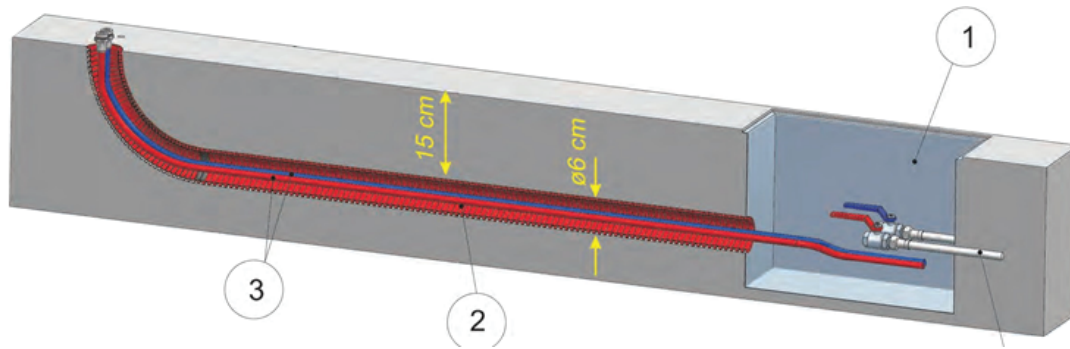
Totem column set $\varnothing 63 \times 2273$ mm in Aisi 316L brushed with mixer, diverter and showerhead $\varnothing 250 \times 2$ mm, flexible hose with anti-torsion system 150 cm Aisi 316L

WARNING: In case of non-observance, even partial, of the safety conditions, both the guarantee and the manufacturer's responsibility for any direct or indirect damage caused by the product are void. The forfeiture of the warranty, in the hypothesis indicated above, will have the consequences of replacing only the parts that will be recognized as defective, without covering the costs derived from the labor required to remove the product.

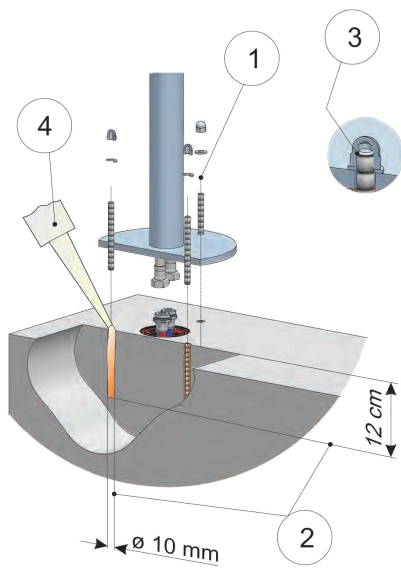
SYSTEM PREPARATION

1. Prepare an inspection pit equipped with stopcocks of adequate size to allow the necessary water connections. In correspondence with or downstream of the stopcock, it is advisable to provide an inspectable filter for the incoming water.
2. Install, from the pit to the installation site of the column, a corrugated sheath with a diameter of 6 cm, the vertical edge of which is placed at a minimum distance of 15 cm from the level of the finished floor.
3. Prepare two removable connection pipes (one for hot water and one for cold water) in polypropylene/polyethylene or similar, equipped with 1/2" male threaded terminals.
4. Purge the system upstream of the pit.

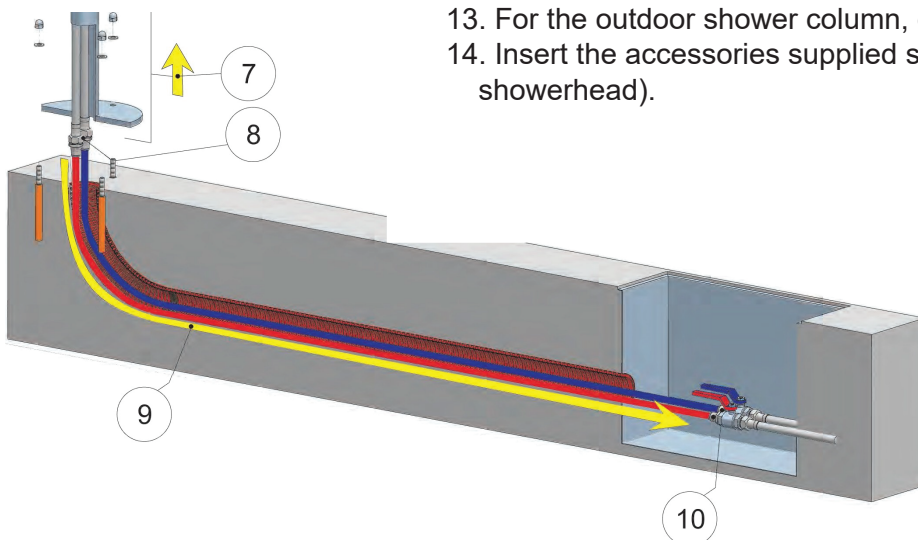
This operation is particularly important as any impurities, such as masonry residues, could obstruct the pipes, taps, mixer cartridges, the showerhead, etc.



INSTALLATION



1. In correspondence with the base plate, mark the position of the holes of anchorage. Remove the column.
2. Drill the holes with a diameter of 8 mm, for the length of the plugs.
3. Insert the plugs.
4. Inject chemical anchor into the holes, starting from the bottom if necessary to stop the plug.
5. Place the column and verify that the holes match the holes in the plate.
6. Try to fix it by screwing in at least 3 screws.
7. Unscrew the screws. Remove the column.
8. Connect the hot and cold water pipes (1/2" F connection).
9. Slide the pipes inside the corrugated sheath.
10. Connect the free ends of the supply pipes to the corresponding stopcocks located in the inspection pit. Install external taps (not supplied).
11. Test the static sealing of the system with closed mixers/taps.
12. Position the column. Insert the screws and then tighten them with the screwdriver. Check the verticality of the column by placing a level on the vertical tube. In case it is not plumb, loosen the nuts and insert a suitable thickness between the plate and the floor.
13. For the outdoor shower column, cover the base with the supplied rosette.
14. Insert the accessories supplied separately (hoses, hand shower and showerhead).



MAINTENANCE and CLEANING

DISASSEMBLY OF EXTERNAL PARTS (seasonal use)

In case of extended periods of non-use (typically: use of the column limited only to the summer season), it is advisable to remove the entire shower column, disassembling it in the reverse sequence to that described in the previous chapter "Installation".

If this is not possible, it is still advisable to:

1. Remove all removable parts: hose, hand shower and showerhead.
2. Close the stopcocks in the inspection pit upstream of the column (see previous chapter "System preparation").
3. Disconnect the water supply pipe.
4. Empty the shower column by opening the mixer (both hot and cold water) until the column is completely empty.

In particularly aggressive external environments (high salinity, exposure to frost, etc.) it is also advisable to isolate the external parts of the taps and the mixer cartridge. When disassembling and reassembling these parts, always pay attention to the threads and their coupling.

PERIODIC MAINTENANCE

- Wash the column frequently with water (if possible using a pressure jet) in order to keep the surface clean and dry thoroughly after washing.
- Remove saline deposits, limescale deposits, any oxide dots as soon as possible; clean interstices, visible screws, etc.
- Use only soft cloths.
- After thorough cleaning with specific products for stainless steel, perform a treatment with passivating products following the manufacturer's instructions, at least once a year.

Avoid absolutely: abrasive cloths and products including powder detergents, any cleaning products containing bleach/hydrochloric acid.

Never expose the column to the vapors of acid products used for cleaning floors and walls, not even outdoors if these are near the shower column.