

FOR ALL BOX

180x78/83xH59

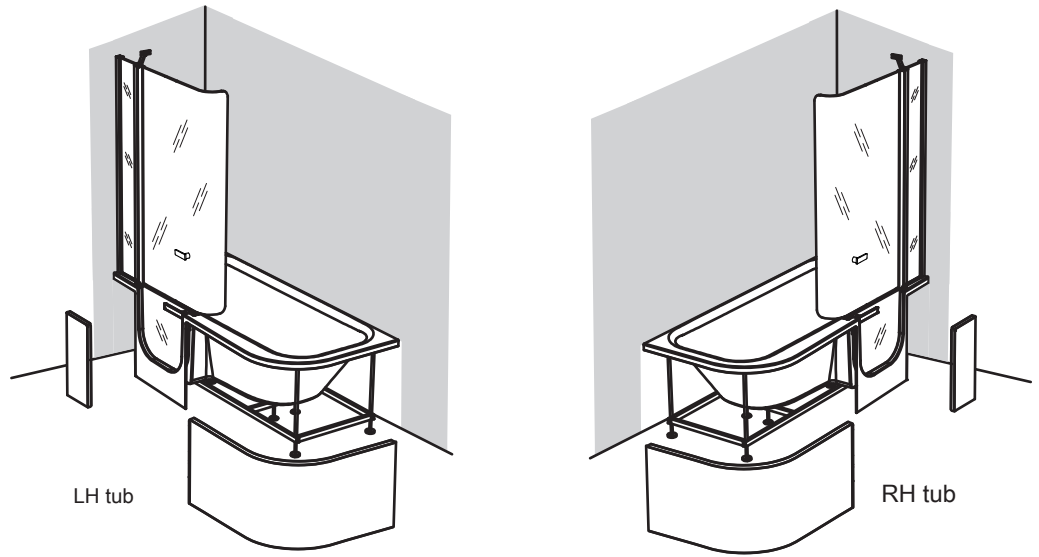
Technical data sheet



The tub must be installed by personnel qualified in both electrical and hydraulic connections.

Before making the connections, the installer must verify that the electrical system is protected by a differential switch (0.03 A) and that the earthing system complies with regulations in force in the county of use.

The whirlpool tub must be connected to the electrical system in a fixed manner (with a 3-pole H05 -3x2.5 mm² cable with a cross-section of 2.5 mm²) using a bipolar switch (minimum contact opening 3 mm) suitable for the power (kW) of the product to be connected and located outside zones 0, 1, 2 and 3 and away from any possible water sprays.



SYSTEMS	Electrical characteristics				Nozzles		Water Cont.		Dimensions			Package dimensions			Weight	
	Volts	A	Kw	Hz	Whirl	Air	use	max	length	width	height	length	width	height	net	gross
Digital whirl.	230	4,5	0,95	50	8	—	210	330	180	75/80	61	187	87	78	60	76
Airpool	230	3	0,7	50	—	16	210	330	180	75/80	61	187	87	78	59	75
Airpool Whirl.	230	7,5	1,7	50	8	12	210	330	180	75/80	61	187	87	78	69	85
Tub with frame	—	—	—	—	—	—	210	330	180	75/80	61	187	87	78	51.5	67.5
BOX												Package dimensions			Weight	
												length	width	height	net	gross
												176	82	22	28	35.5

The data must be considered without panels and accessories

The product must also be connected to the building's equipotential system using the terminal located on the external frame.

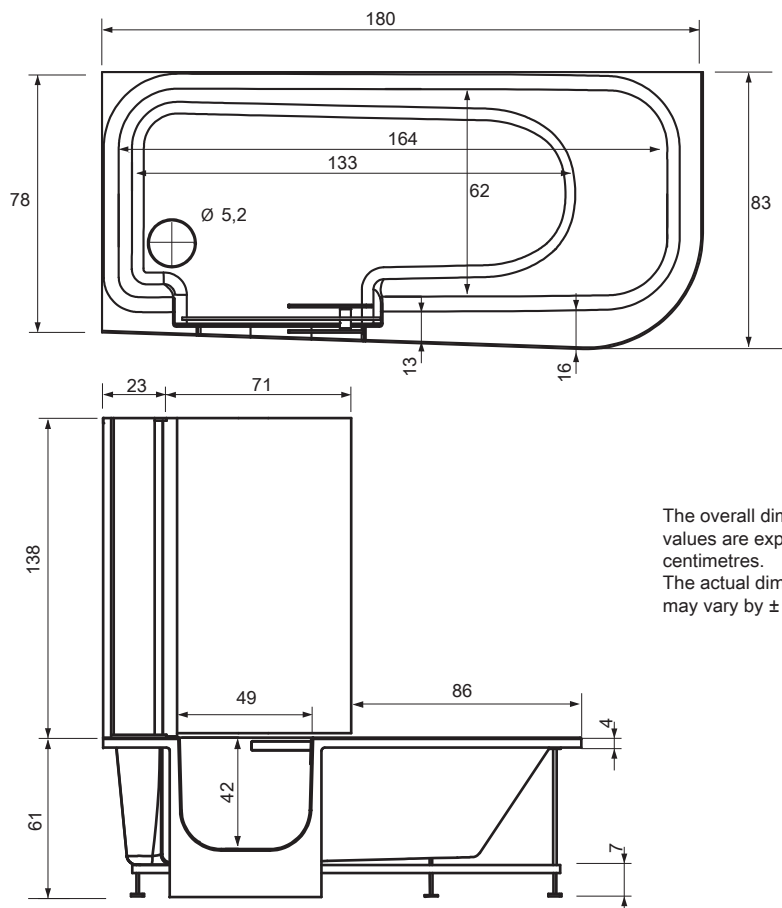
If installing the tub encased between walls, the warranty will be valid only if adequate inspection grilles and ventilation are provided in the walls themselves.

It must also be possible to move the tub at any time without having to damage the walls.

WARNING: in the event of non-compliance, even only partial, with the aforementioned conditions, the safety of the tub may be compromised: the warranty and the manufacturer's responsibility for any direct or indirect damage caused by the product will therefore cease to be effective.

In the case of a voided warranty, mentioned above, only single pieces deemed defective will be replaced. Any labour costs incurred for removal of the product will not be covered.

Provide shut-off cocks out of the dimensions of the product for hot and cold water closing.



The overall dimension values are expressed in centimetres. The actual dimensions may vary by ± 1 cm.

FOR ALL BOX 180x78/83

Electrical and plumbing provisions

KEY

- A - 1/2" cold water connection.
- B - 1/2" hot water connection.

Operating pressure:
 - MIN 150 kPa (1,5 bar)
 - MAX 300 kPa (3,0 bar)

Hot water temperature:
 - MAX 60°C (140°F)

- A1 - Wall tap connection
- C - H05 3x2.5 mm power cable outlet (min. length 2 [m])
- D - Equipotential cable outlet.
- E - Drain at floor level Ø 40.

Only if accessories:

- = Accessory area connections
- K - 1/2" F shower rail connection.
- M -Wall mixer preparation area (recommended).
- F - Shower rail mounting hole.

NOTES:

For tubs with frame, do not provide a power cable.

In all cases, always prepare the cable for the equipotential.

For tub rim taps included in our catalogue, use connections A and B only.

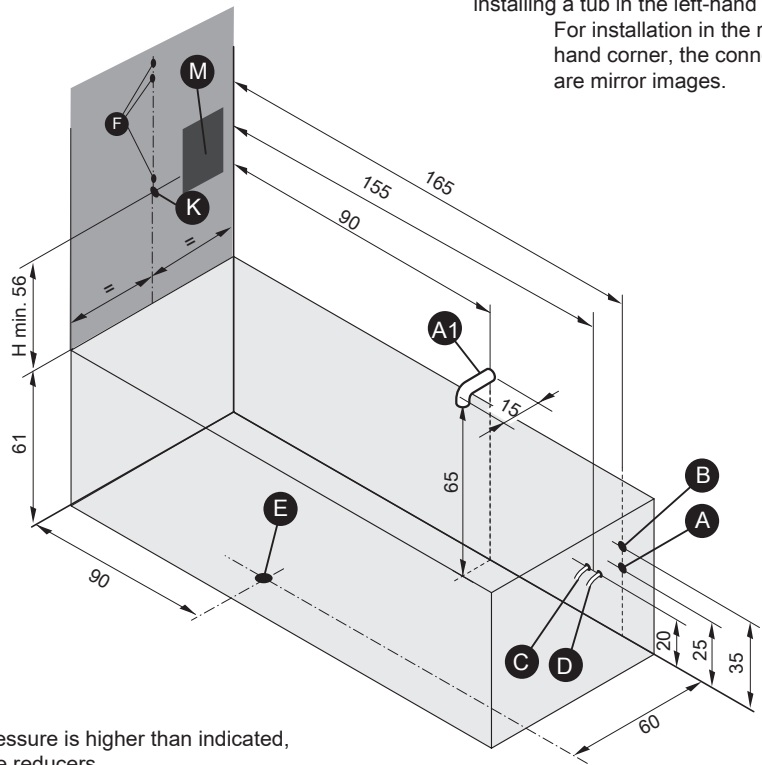
If a wall tap (A1) is envisaged, consider the measurements indicated in the drawing as its centre.

The outlet supplying the water load in the tub must be at least 5 cm higher than the rim.

Caution :

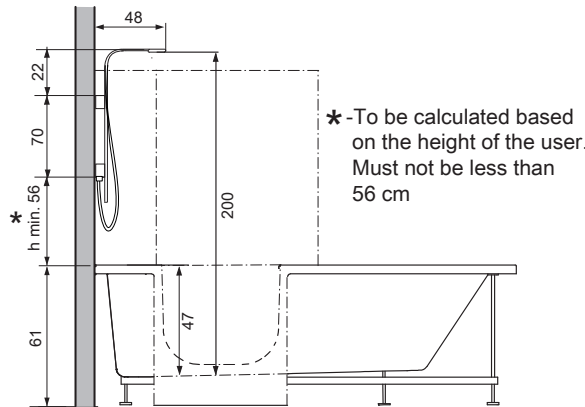
- Installation must take place when the walls are finished.
- Make sure that the pipes do not pass where the mounting holes have to be made.
- The height of the shower head varies according to the height at which the shower rail is positioned.

installing a tub in the left-hand corner. For installation in the right-hand corner, the connections are mirror images.

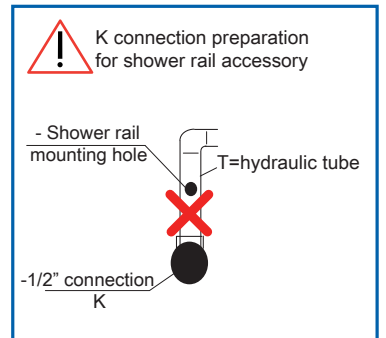


If the water pressure is higher than indicated, install pressure reducers.

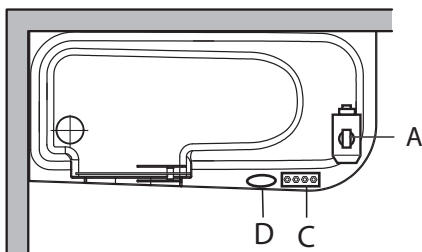
Shower rail accessory



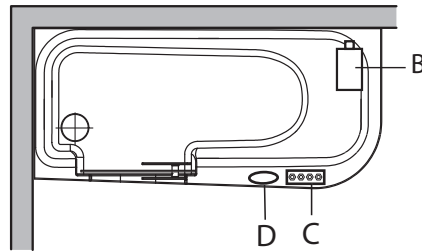
FRONT VIEW



POSITIONING THE ON/OFF AND TAP CONTROLS



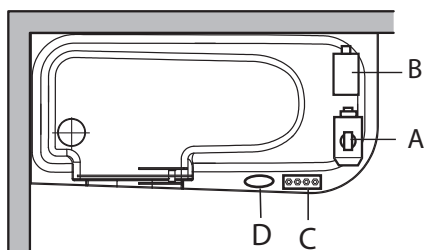
Digital whirl.



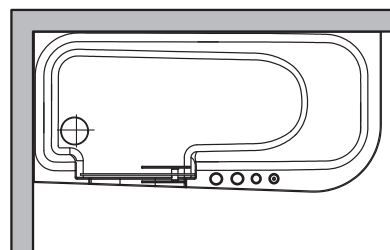
Airpool

- A = Motor
- B = Blower
- C = Electrical control unit
- D = Keypad

The position of A, B and C may vary in tubs with accessories. While it is as per the drawing whether the tub is placed on the left or on the right.



Airpool whirlpool



Taps