

**MINI-POOL
SUN
213x160x H.75**

technical
data sheet



The mini-pool must be installed by personnel qualified in both electrical and hydraulic connections.

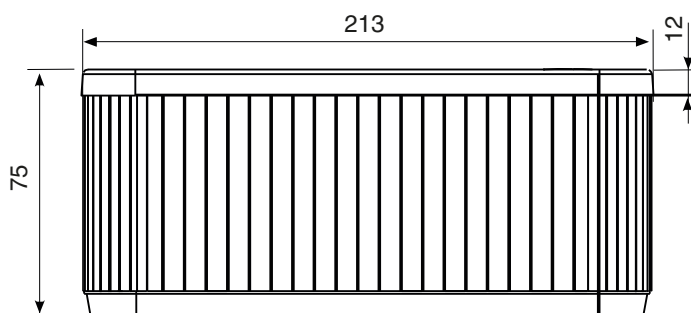
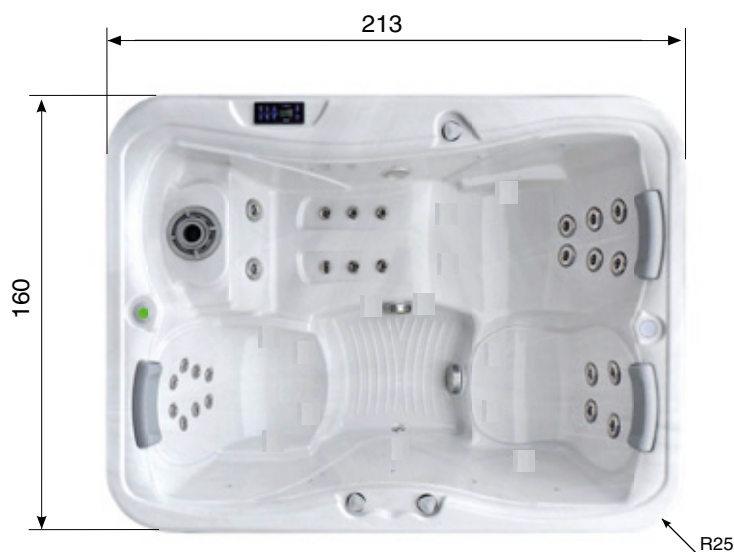
Before making the connections, the installer must verify that the electrical system is protected by an earthing system that complies with differential switch (0.03) regulations in force in the county of use.

The mini-pool must be connected to the electrical system in a fixed manner by means of a switch suitable for the power (kW) of the product to be connected and located outside zones 0, 1, 2 and 3.

The installer must use suitably sectioned cables that must not be inferior to type H 05 VV-F.

WARNING: if the conditions indicated are not observed, the safety of the mini-pool may be compromised: in this case, the product guarantee and the manufacturer's responsibility for any direct or indirect damage caused by the product shall be void.

When the guarantee is voided, for the above-mentioned reason, only parts recognised as being defective will be replaced and costs relating to the labour necessary for product removal will not be covered.



MINI-POOL	SUN
DIMENSIONS cm	213X160X75
PACKAGE DIMENSIONS cm	H235X90X170
SEATS	2 PEOPLE
RECLINED SEAT	1 PERSON
L	660
EMPTY WEIGHT KG	260
JETS	20
PUMP	1X2 SPEED 2250 Wa
BLOWER	NO
HEATER	3000 Wa
TOTAL CONSUMPTION KW	5250 Wa*

SUN	CONNECTION	FUSES	HZ	Volts	kW total consumption
	SINGLE PHASE	1X25A	50 HZ	230 V 1N ~	

* With active heater

Vjg"qxgtcnn"fkogpukqp"xcnwgu"ctg""
gzrtguugf"kp"egpvkogvtgu0"Vjg"cevwcn""
fkogpukpu"ocf"xct"d{ " Σ"207"eo0

**MINI-POOL
SUN
213x160x H.75**

technical
data sheet



ENCASEMENT SET-UP

Create a concrete compartment to accommodate the mini-pool, in accordance with the measurements shown in the drawing, making sure that it is perfectly level. Set up a compartment of at least 60 cm around the perimeter of the mini-pool to ensure accessibility to the hydraulic and electrical system.

Create a collection and raining system at the bottom of the compartment.

It must also be possible to move the mini-pool at any time without having to damage the walls.

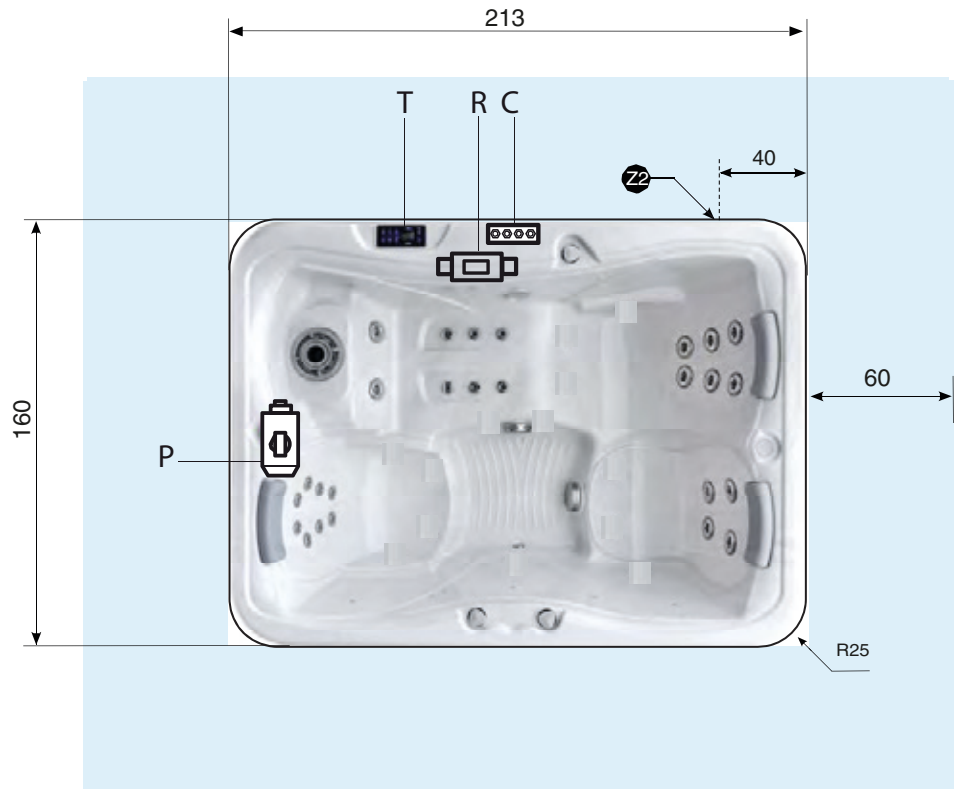
Provide aeration of a suitable measurement.

VENTILATION

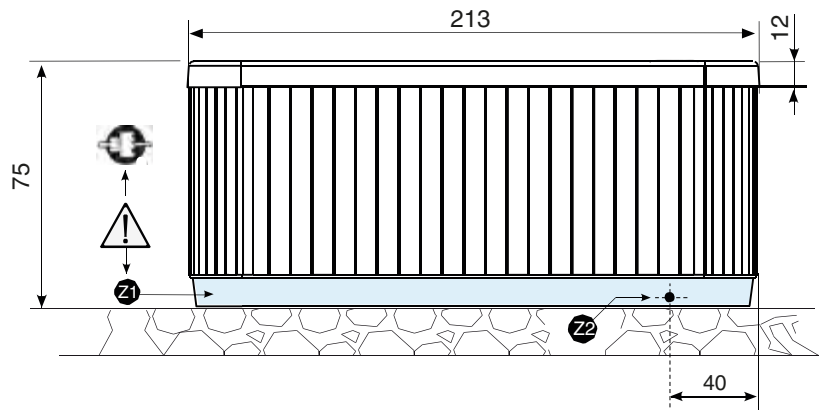
In the event of installation in a closed space, provide adequate ventilation of the environment itself.

LOAD SET-UP

It is advisable to use a flexible, external hose to fill the mini-pool, taking care not to immerse it to avoid any reflux of water into the water supply.



- P = Pump
- R = Heater
- C = Electrical control unit
- T = Keypad



Z1 = Electrical access point

make a hole (with dimensions suitable for passing the power cable through it) in one of the 4 sides of area Z1.

Z2 = Drain 3/4"