

SENSUAL 220x120

CENTER OF THE ROOM WALL - CORNER VERSION

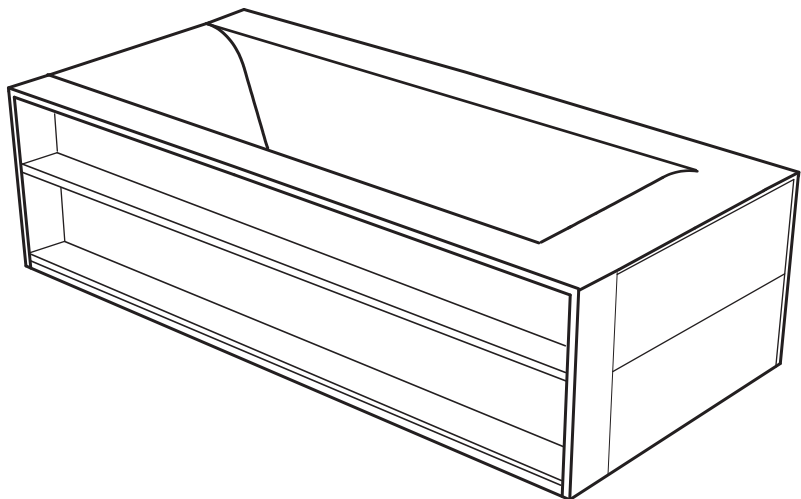
technical data sheet



The bath must be installed by a qualified electrician and plumber.

Before connecting the bath, the installer must see that the electrical system is protected by a circuit breaker (0.03) and that the earthing system complies with the laws in force in the country of installation.

The whirlpool bath must be connected to the electrical system permanently (with an H05 cable - 3x2.5 mm three-pole with a 2.5 mm² cross section) by means of a double-pole switch (minimum 3 mm opening between contacts) and suitably rated (KW) for the appliance to be connected, located away from areas 0,1,2,3 and from areas where jets of water are possible.



SISTEMI	Electrical specifications				Jets		Water cont.		Size			Packing dimensions			Weight	
	Volt	A	kW	Hz	Whirl	Air	use	max	length	width	height	length	width	height	net	gross
Airpool	230	1.7	0,4	50	—	20	250	300	220	120	60	230	130	77	242/274*	316/348*
W / frame							250	300	220	120	60	230	130	77	232/264*	306/338*

*Tub located center of the room.

The data are to be considered without panels and accessories

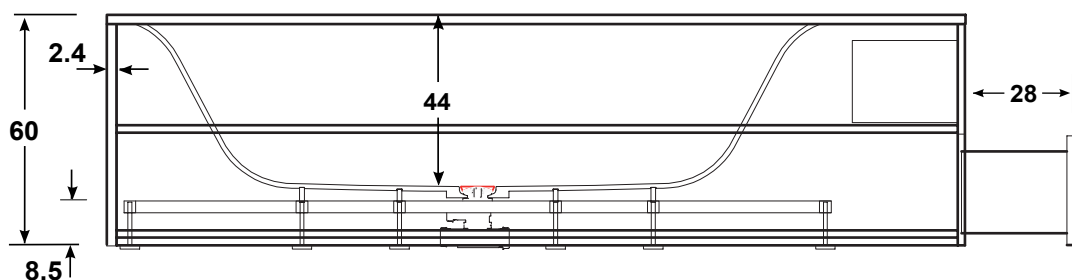
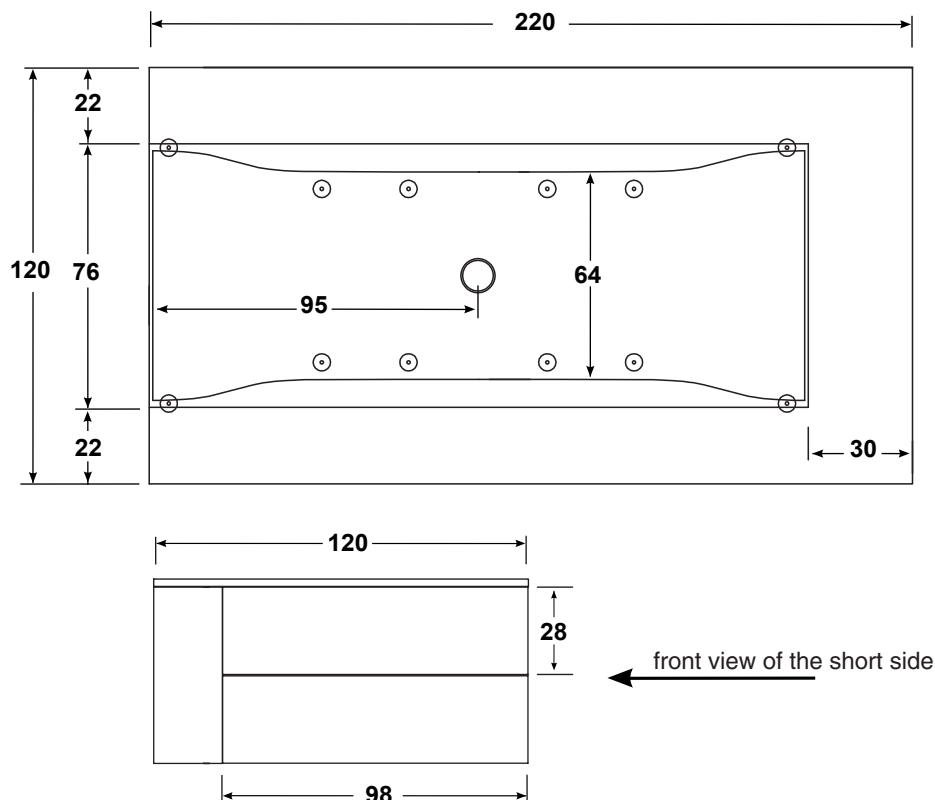
The overall dimensions are given in centimetres. Actual dimensions can vary by ± 1 cm.

The bath must also be connected to the building's equipotential earthing system by means of a terminal on the frame.

It is also important that the bath can be taken out at any time without having to do anything to the walls.

WARNING: if all or even part of the above described conditions are not complied with the safety of the whirlpool bath cannot be guaranteed and, as such, not only is the guarantee invalidated but also the manufacturer can in no way be held liable for any direct or indirect damages caused by the bath.

In those cases where such conditions are not complied with, the guarantee will only cover the substitution of parts deemed defective and not the labour needed if the bath has to be removed.



SENSUAL 220x120

Electricity and plumbing layout

LEGEND

INSTALLATION CORNER - WALL

- A - 1/2" cold water fitting.
- B - 1/2" hot water fitting.
- C1 - Output for the power supply cable type H05 3x2.5mm² (length min. 2 [m])
- D1 - Output for the equipotential cable
- E1 - Scarico pavimento Ø 50.

INSTALLATION CENTRE ROOM

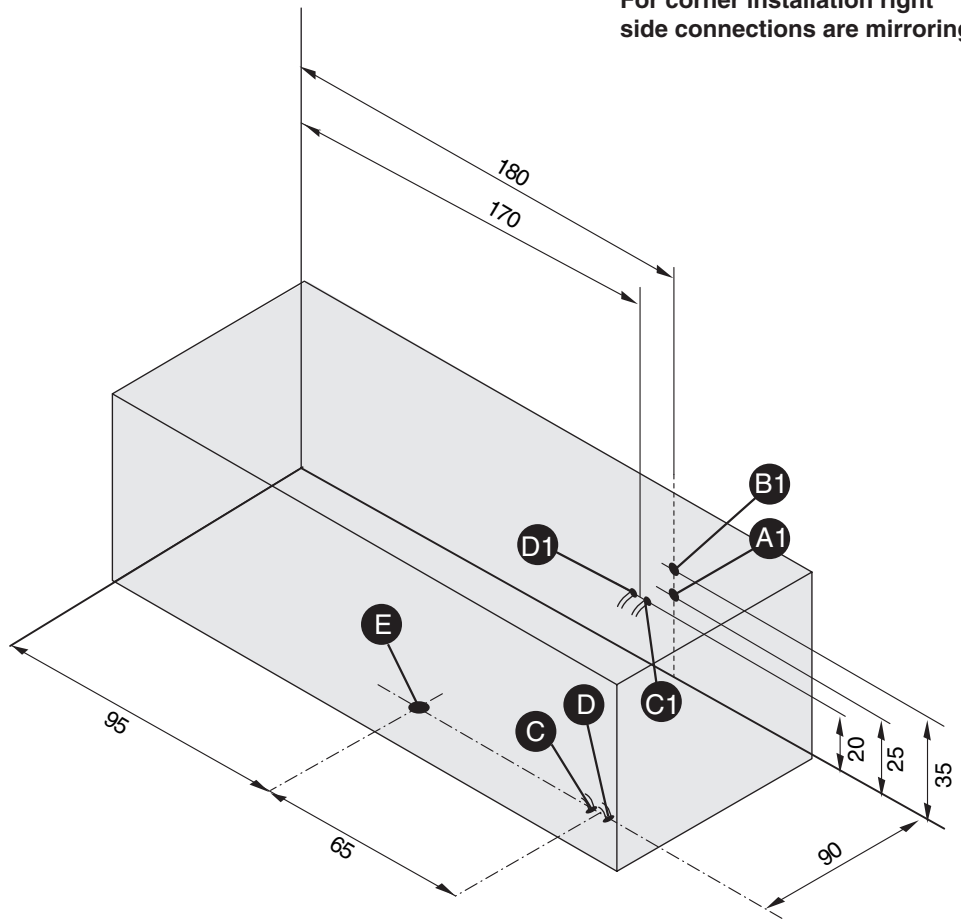
- C - Output for the power supply cable type H05 3x2.5mm² (length min. 2 [m])
- D - Output for the equipotential cable
- E - Scarico pavimento Ø 50.

In the case of placement of the bath tub in the room take a look at the technical sheet of our taps and pedestal for provision of hot and cold water connections.

NOTE:
For baths with frame do not prepare the power cable.

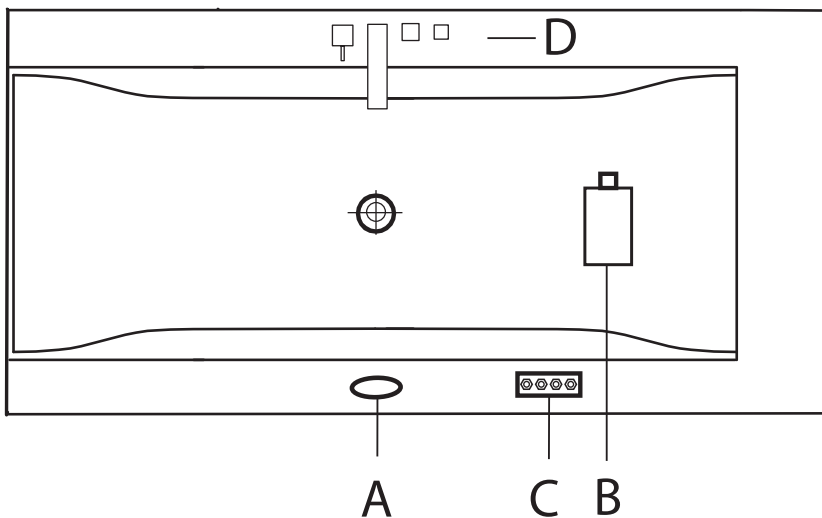
Prepare the equipotential cable in all cases.

For corner installation right side connections are mirroring



POSITIONING THE TURNING ON CONTROLS AND TAPS

- A = Pump**
- B = Blower**
- C = Eletrical Control**
- D = Faucets**



Position of points A-B-C are different in the tubs with accessories (radio - chromotherapy - heater).