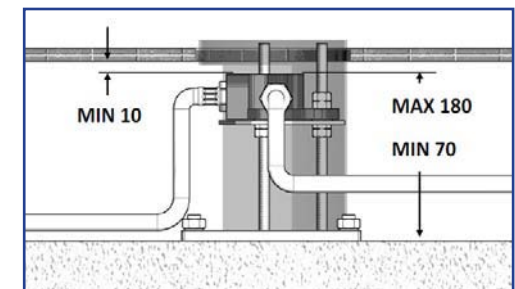
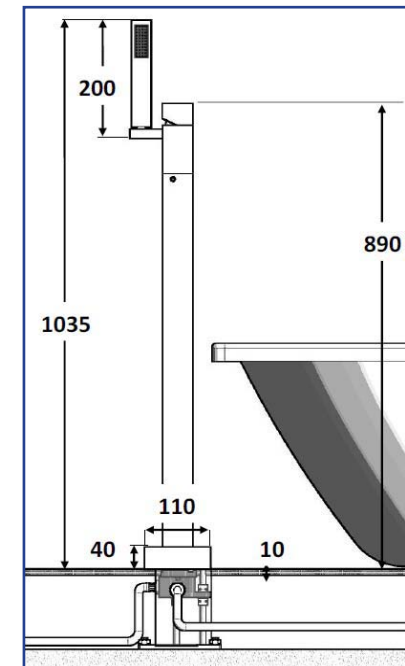
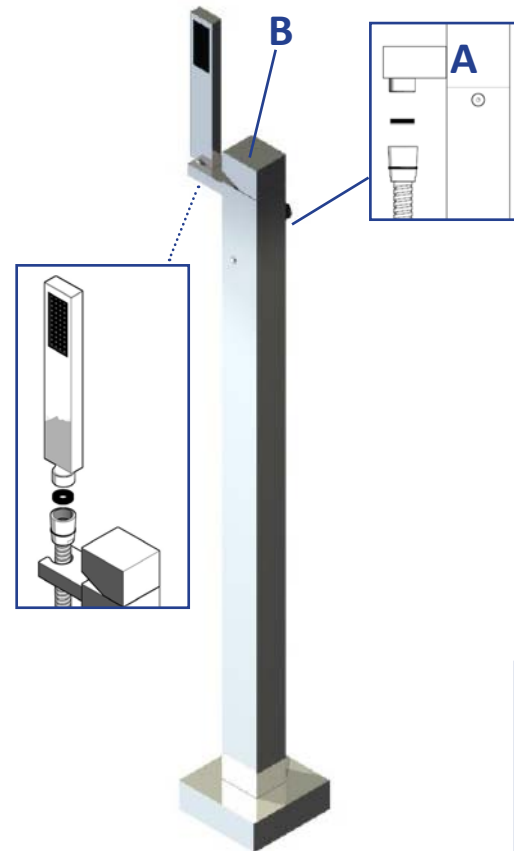
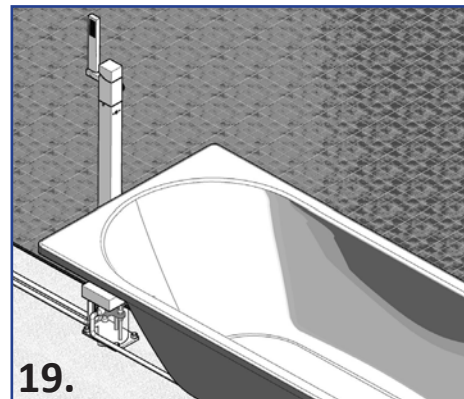
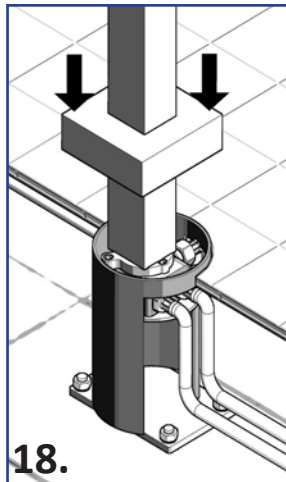
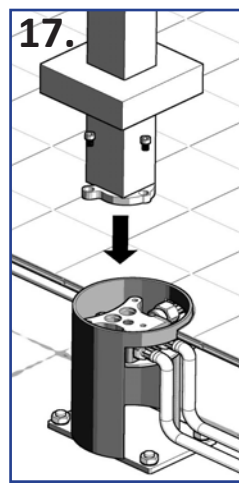
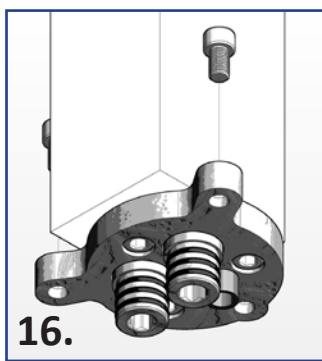


TECHNICAL SHEET FOR GROUND MIXER W/O FAUCET



Tap Cleaning

The fitting is made of materials that allow a quick cleaning and prevent any deposit of bacteria on the surface.

1) Use for all operations soft, not-abrasive cloths.

2) To clean it, use a soft cloth moistened with alcohol.

Do not use powder detergents.

3) Be careful to never use acetone, ammonia or products with these substances because they damage the valves in an irreversible way. The same applies to products containing formic acid or formaldehyde.

5) To remove any scale deposits on the surface rub with the soft cloth soaked in lemon or vinegar, preferably heated.

6) To prevent the formation of scale deposits on the valve it is sufficient dry the various components after use.



Safety instructions for installation and use

The Hafro LTD declines all responsibility if:

The fitting is not installed by your dealer or licensed.

Are not complied with installation and maintenance manuals reported.

They are not complied with the rules and regulations related to plumbing (Sellers).

Are not complied with the rules specified in this manual.

Non-certified materials are used for installation.

Original components of the product are modified or replaced or repaired by unauthorized staff.

Images are for illustrative purposes only

General information

This item has been built to last and maintain its beauty for a long time. Before proceeding to the assembly please read the instructions in this booklet. Do not throw this booklet, keep it carefully for future reference. HAFRO srl reserves the right to modify the product at any time without giving prior notice.

Taps use

To start the water supply, simply lift the handle (B) of the mixer rotating in both directions in order to adjust the temperature.

Pull out the switch (A) to divert water in the shower.

