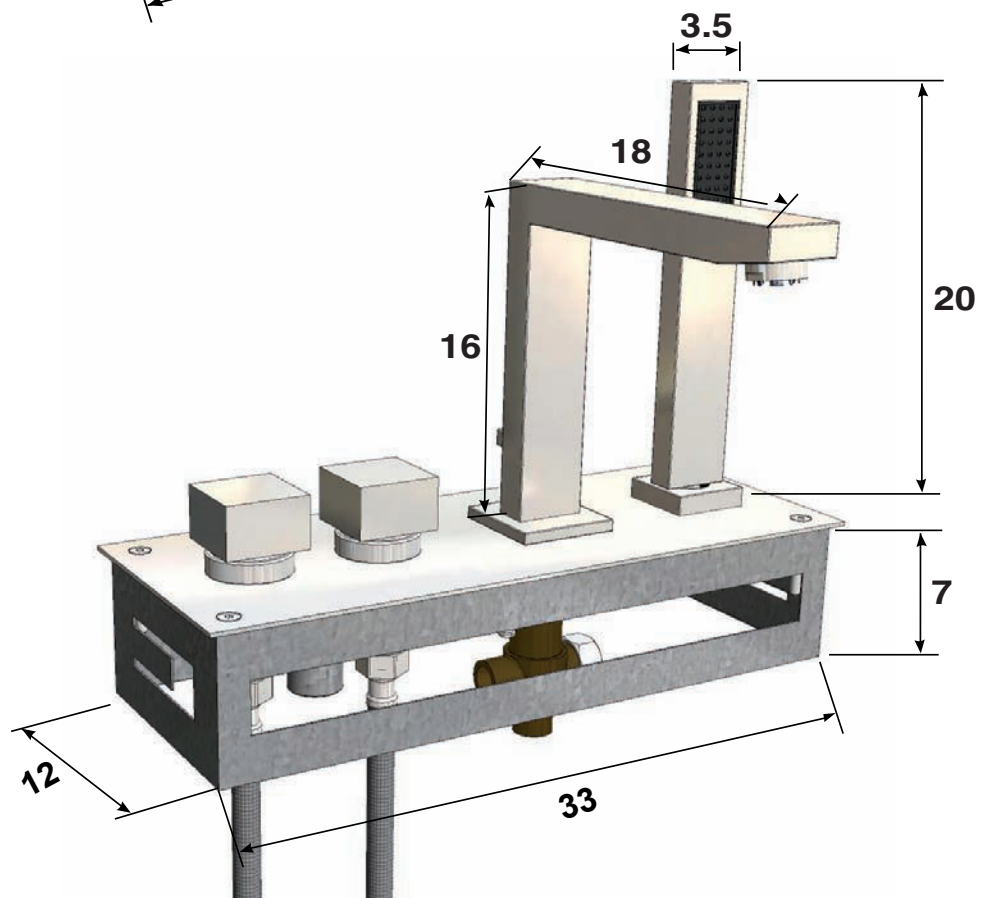
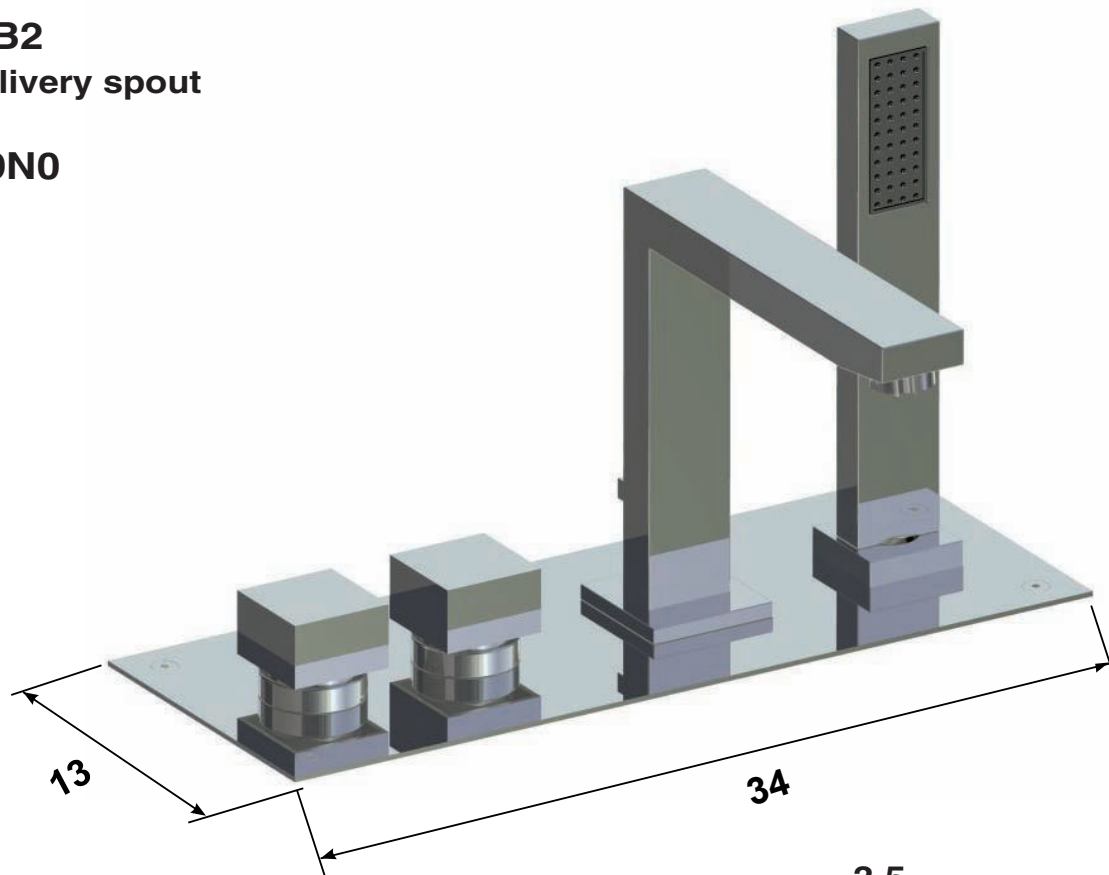


LOFT B2
With delivery spout

0RBD9N0



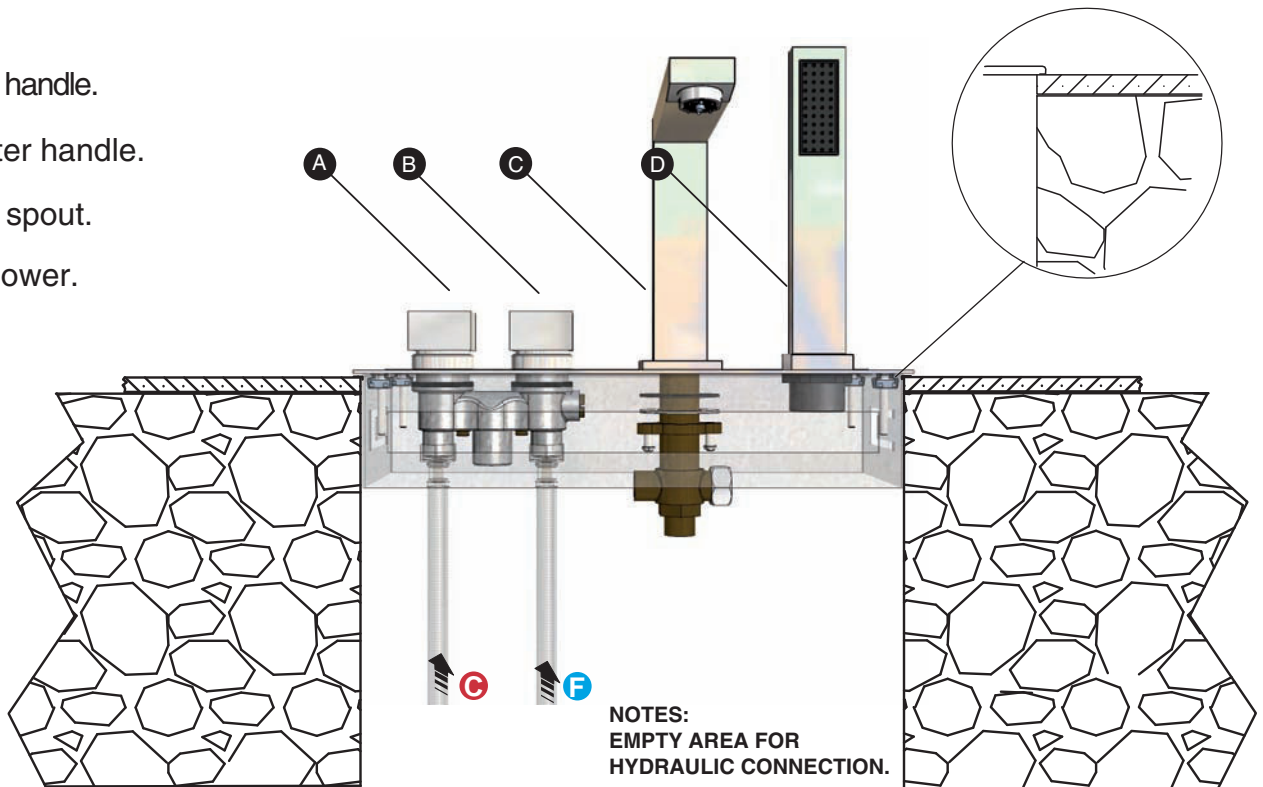
The overall dimensions are given in centimetres.
Actual dimensions can vary by ± 1 cm.

TAP

Commands Positioning

LEGEND:

- A - Hot water handle.
- B - Cold water handle.
- C - Delivery spout.
- D - Hand-shower.



Hydraulic connection

LEGEND:

- A1 - INGRESSO HOT WATER INPUT
FLEX G1/2 F.
- B1 - INGRESSO COULD WATER INPUT
FLEX G1/2 F.
- C1-F1 - USCITA MIXED WATER OUTPUT
FLEX G 3/4 F - G 1/2 F
- G1+E1 - X : FLEX G3/8 F – G1/2 F
Y : FLEX G3/8 F – G1/2 F

