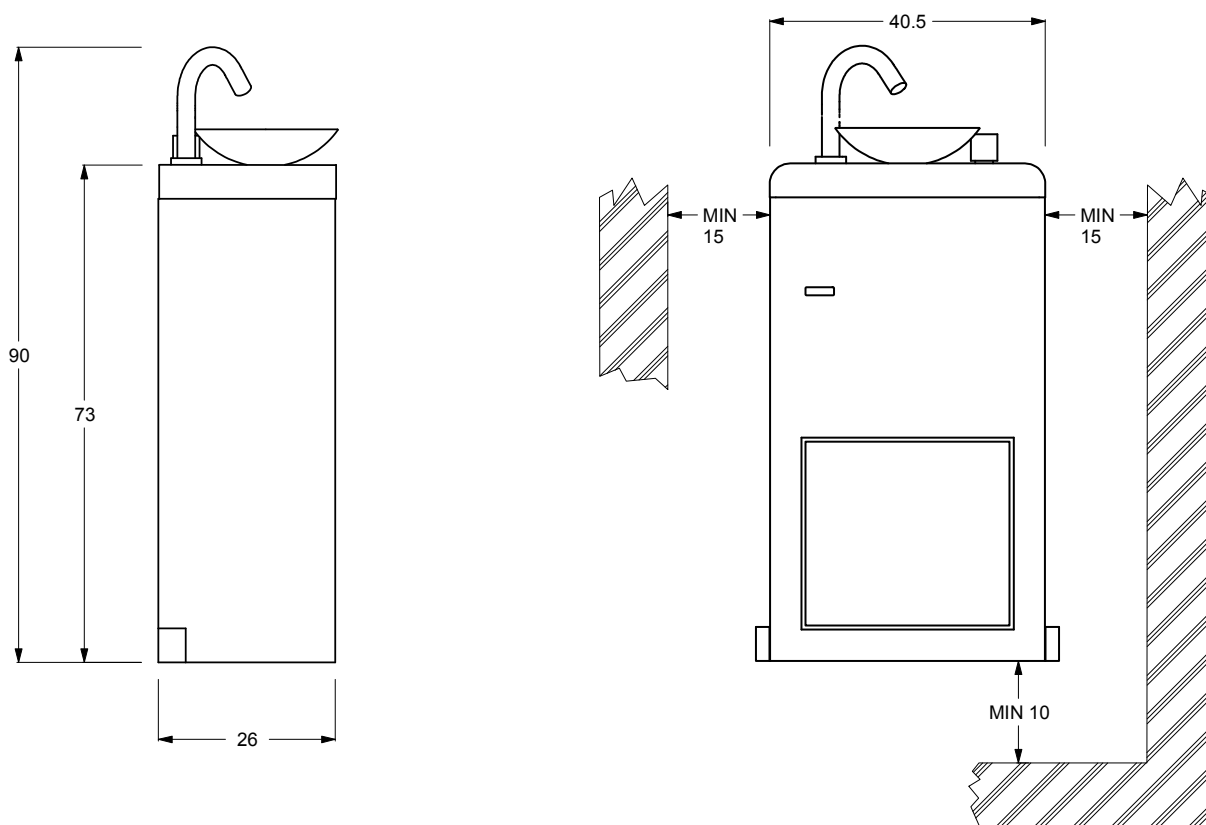


SYSTEMS	Electrical Characteristics			Plumbing Characteristics			Package Dimensions			Weight kg	
	Volt	kW	Hz	Max Water Consumption	Pressure	Connections	Length	Width	Height	Net	Gross
<b>Rigenera 70</b>	230	4	50	20 L. min	bar 1,5 / 4,5	1/2"	---	--	--	--	--
<b>Rigenera 70</b>	230	5	50	20 L. min	bar 1,5 / 4,5	1/2"	---	--	--	--	--
<b>Rigenera 70</b>	230	6	50	20 L. min	bar 1,5 / 4,5	1/2"	---	--	--	--	--

## Rigenera 70



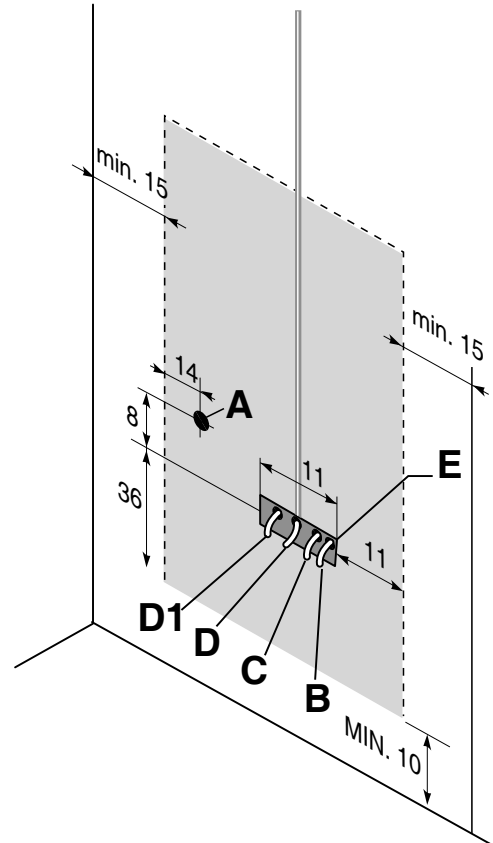
**LEGEND**

- A** - 1/2" F cold water connection
- B** - Outlet for SINGLE PHASE power cable (min. cable length 1.5 m)  
Max diameter for cable pass-through is 6.2 mm
- C** - Equipotential cable outlet (min. cable length 1.5 m)
- D** - Provision for antenna cable conduit (min. cable length 1.5 m)
- D1** - Chromotherapy power supply conduit only if necessary (20 mm diameter)
- E** - Cable outlet area

The product must be connected to the building's equipotential system in compliance with applicable regulations in the country of use. Installation must be carried out by qualified personnel.

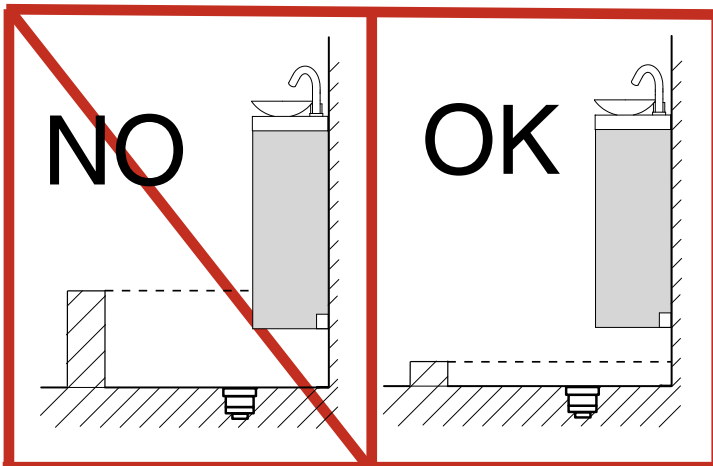
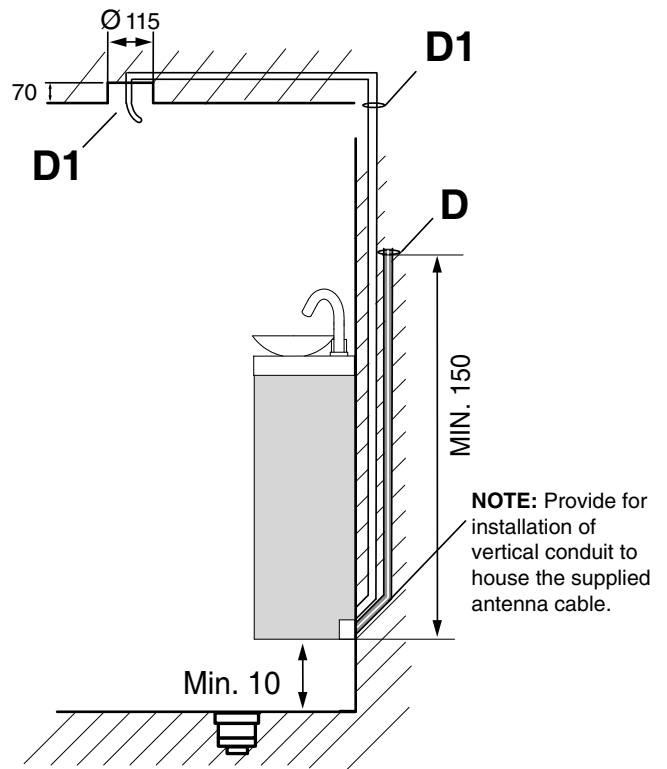
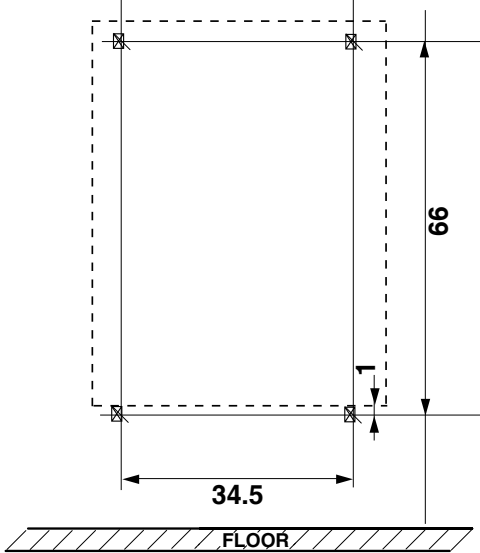
**INSTALLATION:**

- Install once floors and walls have been finished and the shower tray or impermeable flooring with a drain has been installed.
- Make sure that the pipes do not pass where the mounting holes have to be made.**
- Maximum room height of 2.2 metres.



**MOUNTING HOLES:**

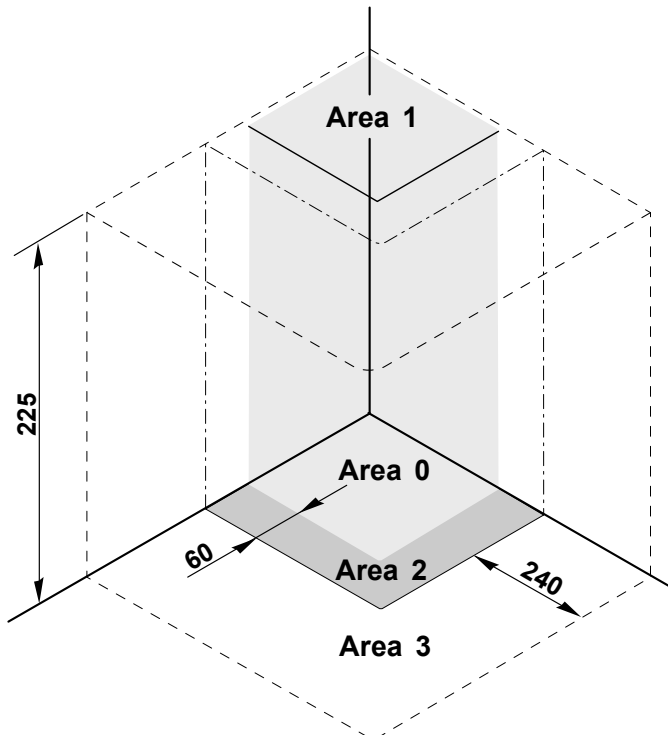
Attention: - Ø 8 mounting holes



**CAUTION:**  
If no shower tray is present a floor drain must be installed.

**WARNING:** Failure to observe all safety conditions will void the product's warranty and the manufacturer shall not be held liable for for any damages, direct or indirect, caused by the product. In the case of a voided warranty, mentioned above, only single pieces deemed defective will be replaced. Any labour costs incurred for removal of the product will not be covered.

## SAFETY AREAS



With regard to both the electric and plumbing connections, installation of the column must be performed by qualified or authorised personnel. Before connecting the equipment, the installer must ensure that the electrical system conforms to the **IEC 64-8** standard, protected by a 0.03A RCD, and that the earthing system is efficient and in compliance with the above-cited standard. Hafro shower columns (**models using electric power**) must be mounted securely and permanently connected to the electrical mains and the earthing system. Connection to the electrical mains must be made via an omnipolar switch with a contact gap of at least 3 mm, located outside the safety area as required by the latest edition of the **IEC 64-8/7** technical standard (this must be installed in areas not accessible by the equipment's end user), away from possible sprays or water supplies. The cable connecting to the electrical system must be protected by a corrugated tube that should have no intermediate joints or connections. The cable's specifications must not be inferior to type H05 VV-F 3x2.5 mm<sup>2</sup>. Connection components must have characteristics and IP rating as prescribed by **IEC 64-8** for applications in bathrooms and showers.

### EQUIPOTENTIAL CONNECTION

The equipment must be connected to the building's equipotential system via the dedicated, duly indicated terminal located on the frame, as required by the **IEC 60335-2-105** standard.

## INTRODUCTION

### ATTENTION:

UPON RECEIPT OF GOODS, CHECK THE CONDITION OF THE PRODUCT AND PACKAGING, IMMEDIATELY BRINGING ANY VISUAL DAMAGE TO THE COURIER'S ATTENTION.

THE MANUFACTURER DECLINES ANY RESPONSIBILITY FOR TRANSPORT.

**The use of gloves is recommended. Handle delicate parts with care.**

Check the condition of such parts before proceeding with the installation.

Before proceeding with installation, make sure that all connection provisions are per the data sheet of the model to be installed. Make sure that the walls above the shower tray are square. The installation of two filter valves on the water connections is recommended.

## ELECTRICAL NOTES

Refer to the electrical safety notes when making the electrical connections.

The column's technical data is reported on the tag located on the rear portion of the column (see figure).

