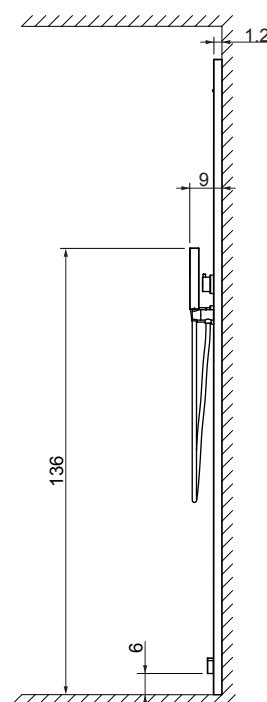
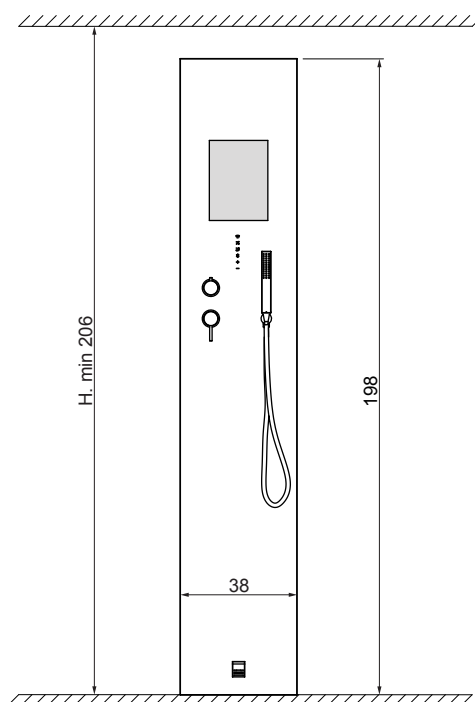
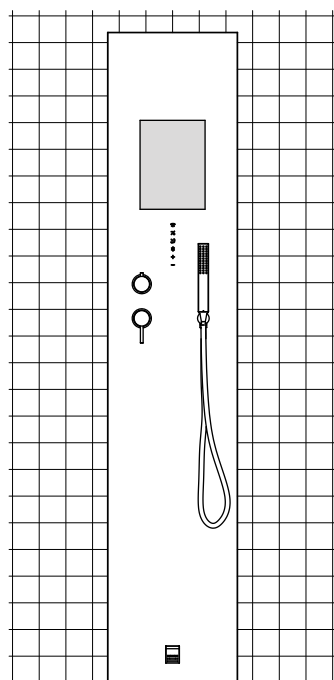


RIGENERA 200 BUILT-IN IN CRYSTAL

Datasheet

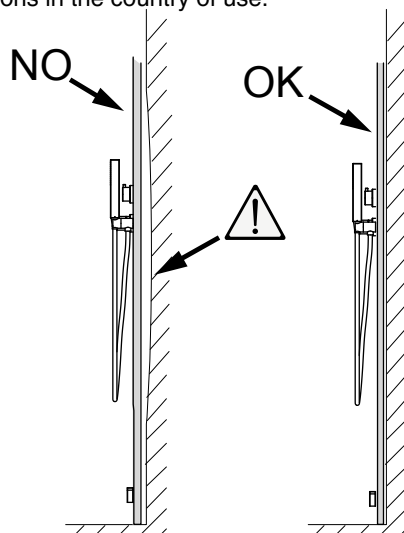
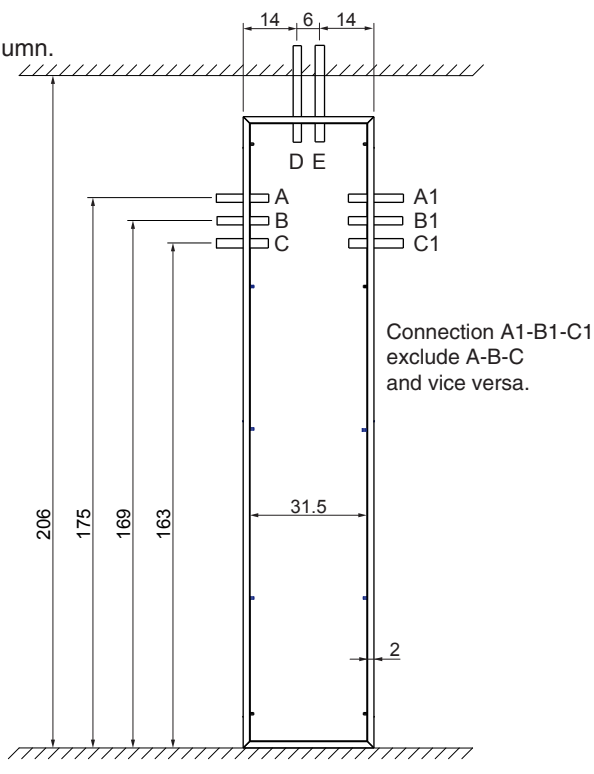


SYSTEMS	Electrical characteristics			Plumbing characteristics			Package size			Weight	
	VOLT	A	Hz	Water flow rate max a 3 bar	Pressure	Connections water C / H	Length	Width	Height	Net	Gross
RIGENERA 200 - 3,0 Kw	220 - 240	10.2 - 11.0	50 - 60	15 L. MIN	BAR 1,5 / 4,5	1 / 2 "	210	51	36	31	38
RIGENERA 200 - 4,0 Kw	220 - 240	15.8 - 17.2	50 - 60	15 L. MIN	BAR 1,5 / 4,5	1 / 2 "	210	51	36	31	38
RIGENERA 200 - 5,0 Kw	220 - 240 / 1N	20.5 - 22.1	50 - 60	15 L. MIN	BAR 1,5 / 4,5	1 / 2 "	210	51	36	35	42
RIGENERA 200 - 6,0 Kw	220 - 240 / 1N	24.1 - 25.6	50 - 60	15 L. MIN	BAR 1,5 / 4,5	1 / 2 "	210	51	36	35	42

LEGEND:

- A - 1/2" connection for the cold water.
- B - 1/2" connection for the hot water.
- C - Tube $\varnothing 25 \text{ mm}^2$ - The power cord to be sized according to the power of the column.
Phase connection.
- D - Power shower head 1/2 " (only if accessory).
- E - Feeding tube for color therapy (diameter 25 mm)
Only if accessory.

The product should be connected to 'bonding system of the building accordance with applicable regulations in the country of use.

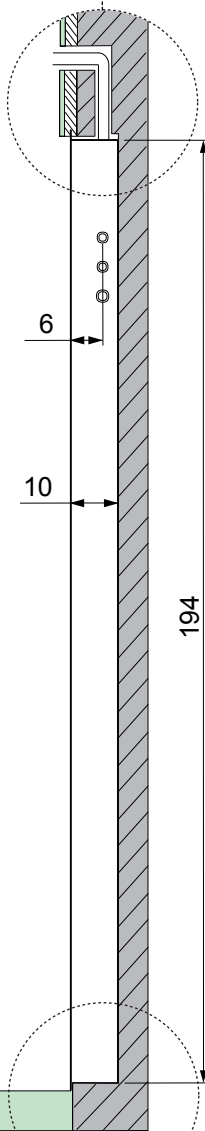


Attention: if not being expected a shower tray, predict always use exhaust floor.

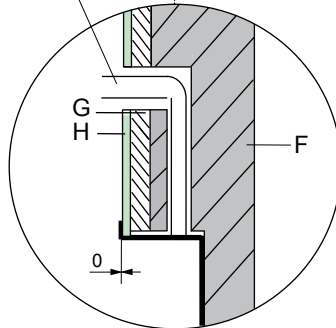
The overall dimension values are expressed in mm. The actual dimensions may vary by $\pm 5 \text{ mm}$.

RIGENERA 200 built - in IN CRYSTALL

F - Walling
G - Isolation
H - Covering

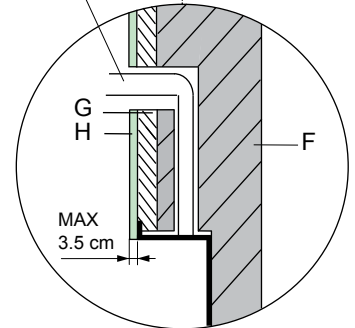


Prepare the tube (D - E) over the the roof of the box.

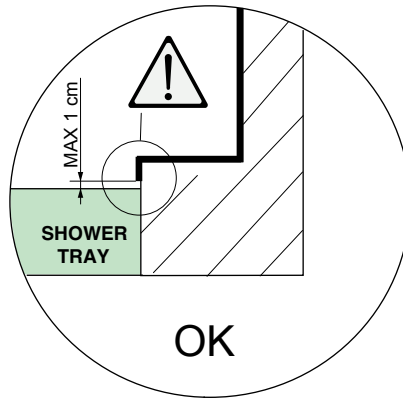


SOLUTION 1
With cash fixed over the coating

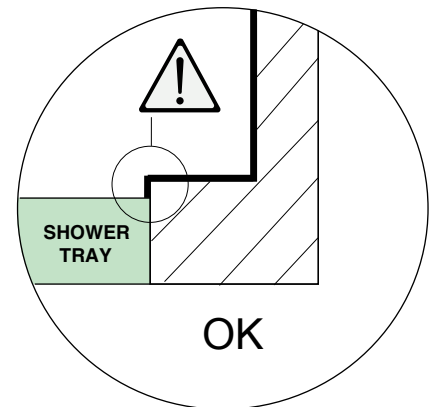
Prepare the tube (D - E) over the the roof of the box.



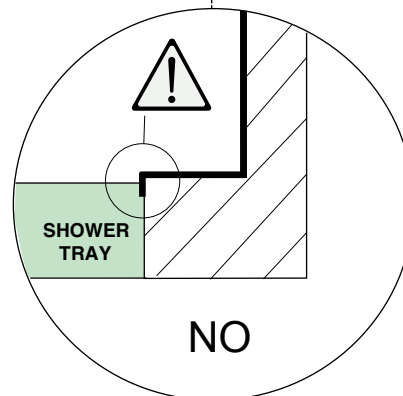
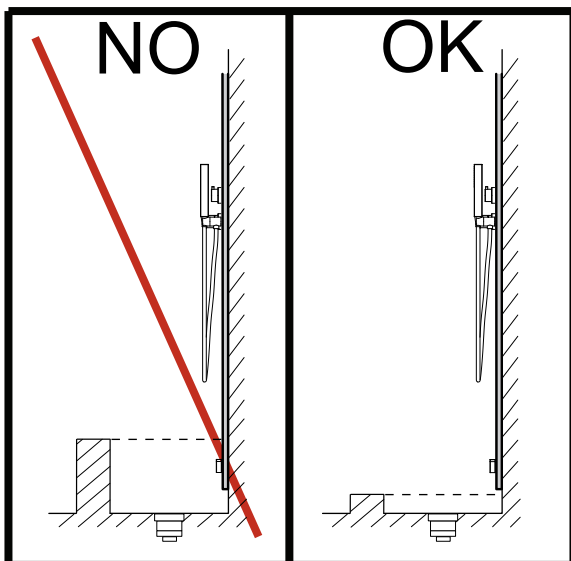
SOLUTION 2
With cash fixed under the coating



OK



OK



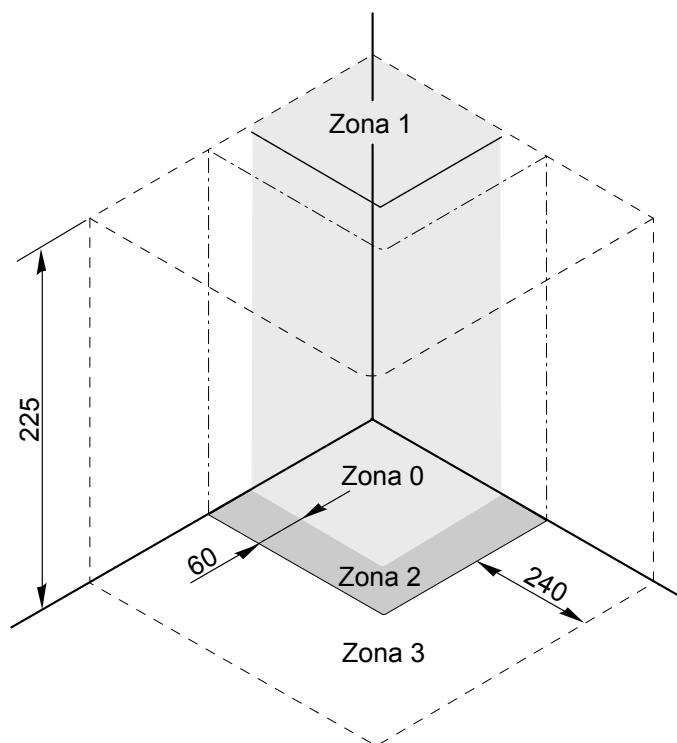
NO

WARNING: failure in observing the safety conditions, even in part, invalidates the guarantee and the manufacturer is not liable for any damages caused by the product whether direct or indirect.

With the invalidity of the guarantee, in the case of the above, only those parts recognised as faulty will be replaced but the costs for labour, for product removing, are not covered.

RIGENERA 200 BUILT-IN IN CRYSTAL

SAFETY AREAS



With regard to both the electric and plumbing connections, installation of the column must be performed by qualified or authorised personnel. Before connecting the equipment, the installer must ensure that the electrical system conforms to the **IEC 64-8** standard, protected by a 0.03A RCD, and that the earthing system is efficient and in compliance with the above-cited standard. Hafro shower columns **(models using electric power)** must be mounted securely and permanently connected to the electrical mains and the earthing system. Connection to the electrical mains must be made via an omnipolar switch with a contact gap of at least 3 mm, located outside the safety area as required by the latest edition of the **IEC 64-8/7** technical standard (this must be installed in areas not accessible by the equipment's end user), away from possible sprays or water supplies. The cable connecting to the electrical system must be protected by a corrugated tube that should have no intermediate joints or connections. The cable's specifications must not be inferior to type H05 VV-F

Connection components must have characteristics and IP rating as prescribed by **IEC 64-8** for applications in bathrooms and showers.

EQUIPOTENTIAL CONNECTION

The equipment must be connected to the building's equipotential system via the dedicated, duly indicated terminal located on the frame, as required by the **IEC 60335-2-105** standard.

ATTENTION:

UPON RECEIPT OF GOODS, CHECK THE CONDITION OF THE PRODUCT AND PACKAGING, IMMEDIATELY BRINGING ANY VISUAL DAMAGE TO THE COURIER'S ATTENTION. THE MANUFACTURER DECLINES ANY RESPONSIBILITY FOR TRANSPORT.

The use of gloves is recommended. Handle delicate parts with care.

Check the condition of such parts before proceeding with the installation.

Before proceeding with installation, make sure that all connection provisions are per the data sheet of the model to be installed. Make sure that the walls above the shower tray are square. The installation of two filter valves on the water connections is recommended.

ELECTRICAL NOTES

Refer to the electrical safety notes when making the electrical connections. The column's technical data is reported on the tag located on the rear portion of the column (see figure).

