

NOVA

160x100xH58

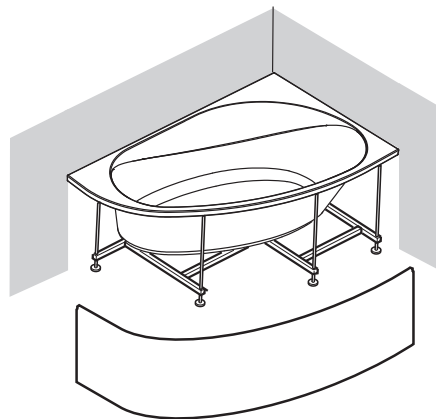
Technical data sheet



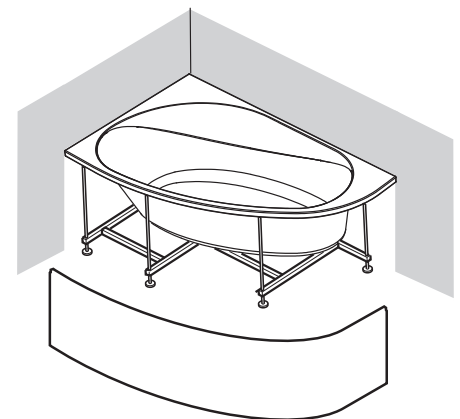
The bath must be installed by a qualified electrician and plumber.

Before connecting the bath, the installer must see that the electrical system is protected by a circuit breaker (0.03) and that the earthing system complies with the laws in force in the country of installation.

The whirlpool bath must be connected to the electrical system permanently (with an H05 cable - 3x2.5 mm three-pole with a 2.5 mm² cross section) by means of a double-pole switch (minimum 3 mm opening between contacts) and suitably rated (KW) for the appliance to be connected, located away from areas 0,1,2,3 and from areas where jets of water are possible.



tub LEFT



tub RIGHT

SYSTEMS	Electrical specifications				Jets		Water cont.		Size			Packing dimensions			Weight	
	Volt	A	kW	Hz	Whirl	Air	utilizzo	max	lung.	largh.	altezza	lung.	largh.	altezza	netto	lordo
Whirlpool	230	3.6	0,83	50	6	-	180	230	160	100	58	163	110	76	45	64
Whirlpool airpool	230	6.7	1,55	50	6	12	180	230	160	100	58	163	110	76	52	71
w/frame	-	-	-	-	-	-	180	230	160	100	58	163	110	76	32	51

The data are to be considered without panels and accessories

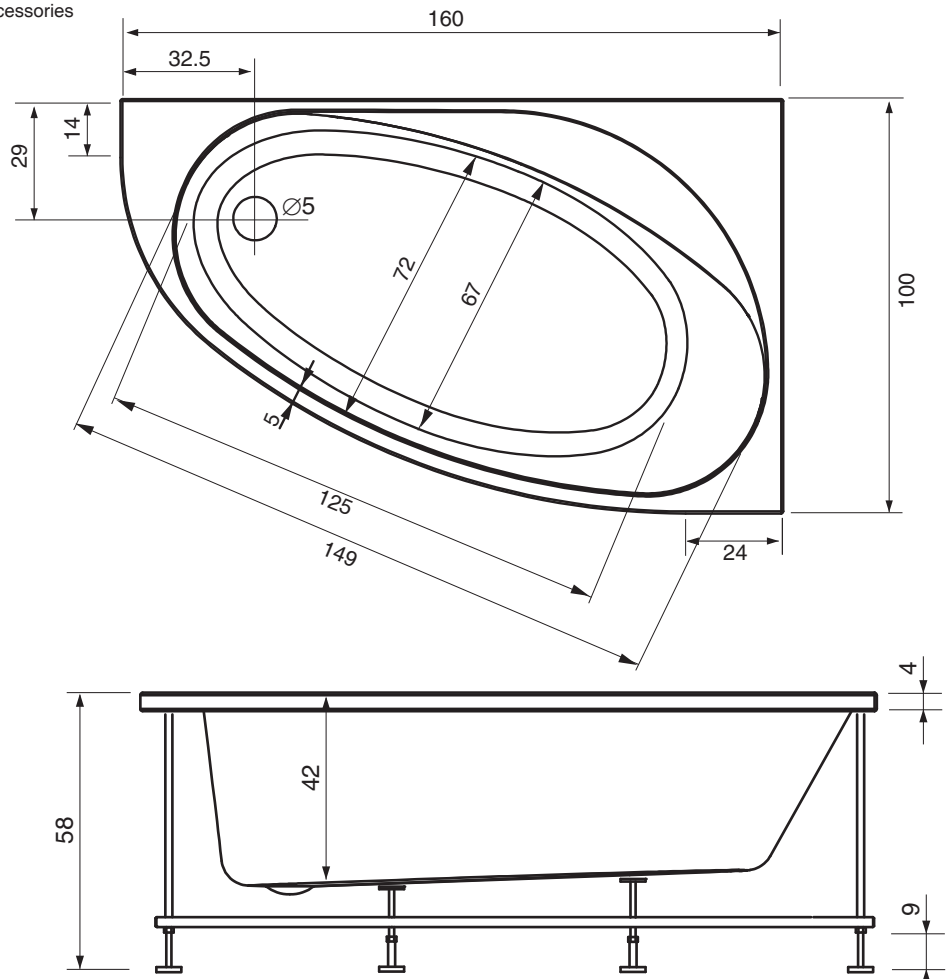
The overall dimensions are given in centimetres. Actual dimensions can vary by ± 1 cm.

The bath must also be connected to the building's equipotential earthing system by means of a terminal on the frame.

If the bath is to be recessed in walls, the guarantee will only be valid if the walls are fitted with inspection and aeration grids of a suitable size. It is also important that the bath can be taken out at any time without having to do anything to the walls.

WARNING: if all or even part of the above described conditions are not complied with the safety of the whirlpool bath cannot be guaranteed and, as such, not only is the guarantee invalidated but also the manufacturer can in no way be held liable for any direct or indirect damages caused by the bath.

In those cases where such conditions are not complied with, the guarantee will only cover the substitution of parts deemed defective and not the labour needed if the bath has to be removed.



Se la vasca viene installata ad incasso, la muratura non può rientrare rispetto al bordo esterno più di 1 cm. Prevedere il pannello di ispezione e presa d'aria. Nelle vasche Whirlpool e Whirlpool airpool le tubature sono a filo esterno della vasca.

