

MODE

170x80xH58

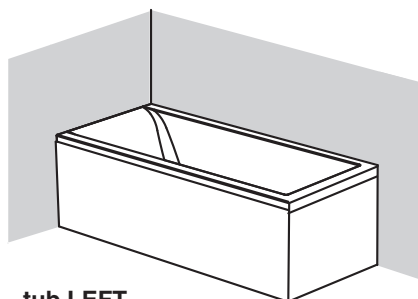
technical data sheet



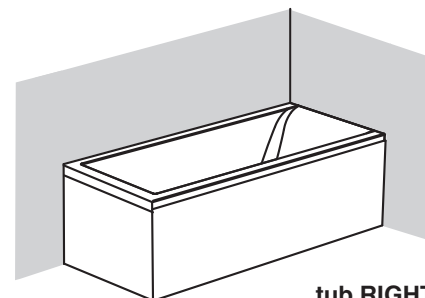
The bath must be installed by a qualified electrician and plumber.

Before connecting the bath, the installer must see that the electrical system is protected by a circuit breaker (0.03) and that the earthing system complies with the laws in force in the country of installation.

The whirlpool bath must be connected to the electrical system permanently (with an H05 cable - 3x2.5 mm three-pole with a 2.5 mm² cross section) by means of a double-pole switch (minimum 3 mm opening between contacts) and suitably rated (KW) for the appliance to be connected, located away from areas 0,1,2,3 and from areas where jets of water are possible.



tub LEFT



tub RIGHT

The panels protrude from the tank of about 0.5 cm

SYSTEMS	Electrical specifications				Jets		Water cont.		Size			Packing dimensions			Weight	
	Volt	A	Kw	Hz	Whirl	Air	utilizzo	max	lung.	largh.	altezza	lung.	largh.	altezza	netto	lordo
Whirl. manuale	230	3,9	0,86	50	6	—	175	217	170	80	59	178	87	78	47	65
Whirl. digitale	230	3,9	0,86	50	6	—	175	217	170	80	59	178	87	78	47	65
Airpool	230	3	0,7	50	—	16	175	217	170	80	59	178	87	78	47	65
Whirl. airpool	230	6,9	1,56	50	6	12	175	217	170	80	59	178	87	78	57	75
Profes. whirl. air.	230	6,9/10,9*	1,56/2,4*	50	6	20	175	217	170	80	59	178	87	78	62	80
w/frame	—	—	—	—	—	—	175	217	170	80	59	178	87	78	37	55

* With active heater

The data are to be considered without panels and accessories

The overall dimensions are given in centimetres. Actual dimensions can vary by ± 1 cm.

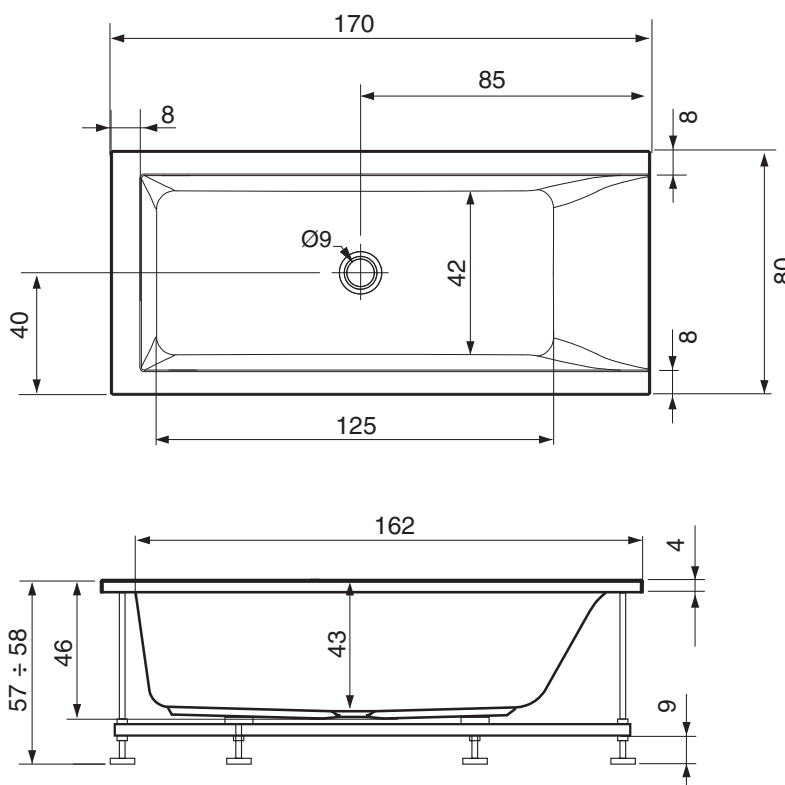
The bath must also be connected to the building's equipotential earthing system by means of a terminal on the frame.

If the bath is to be recessed in walls, the guarantee will only be valid if the walls are fitted with inspection and aeration grids of a suitable size.

It is also important that the bath can be taken out at any time without having to do anything to the walls.

WARNING: if all or even part of the above described conditions are not complied with the safety of the whirlpool bath cannot be guaranteed and, as such, not only is the guarantee invalidated but also the manufacturer can in no way be held liable for any direct or indirect damages caused by the bath.

In those cases where such conditions are not complied with, the guarantee will only cover the substitution of parts deemed defective and not the labour needed if the bath has to be removed.



Right bath version
Connections are reversed for the left version

LEGEND

- A** - 1/2" cold water fitting.
- A1** - Fitting for wall tap.
- B** - 1/2" hot water fitting.
- C** - Output for the power supply cable type H05 3x2.5mm² (length min. 2 [m])
- D** - Output for the equipotential cable
- E** - Scarico pavimento Ø 40.

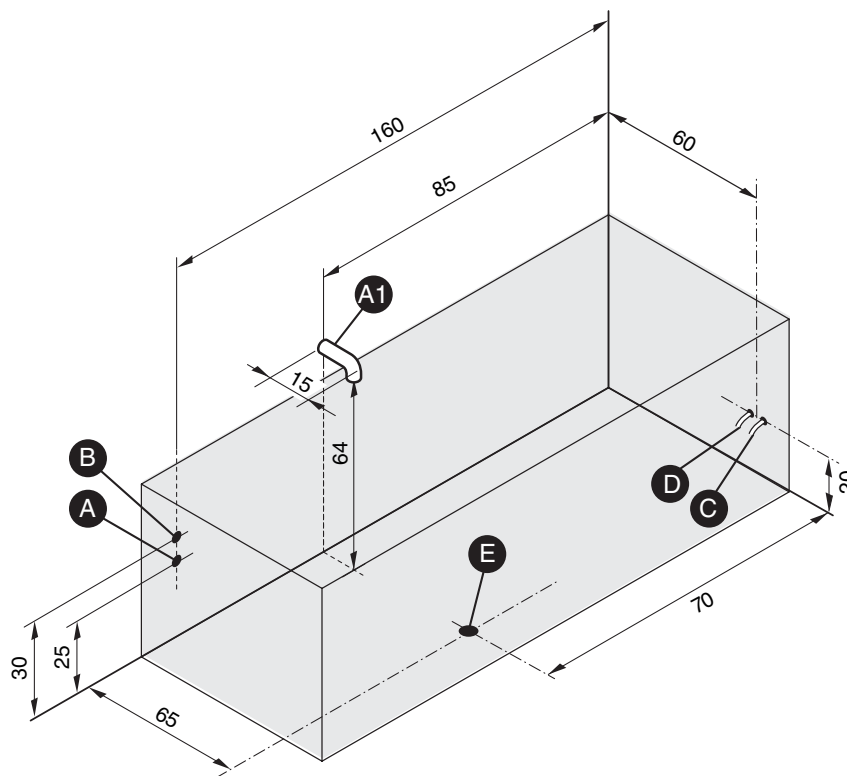
NOTE:

For baths with frame do not prepare the power cable.

Prepare the equipotential cable in all cases.

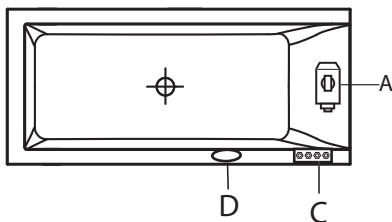
For the tap as per our catalogue, use fittings A and B only.

If wall tap are going to be used instead (A1), take into consideration the measurements given in the drawing as the centre of the tap. The tap for filling the bath with water must be at least 5 cm higher than the edge of the bath.

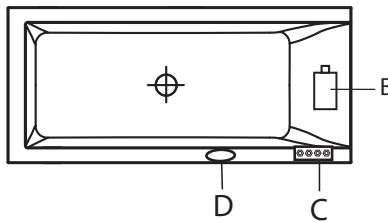


POSITIONING THE TURNING ON CONTROLS AND TAPS

Whirl. manuale o Whirl. digitale

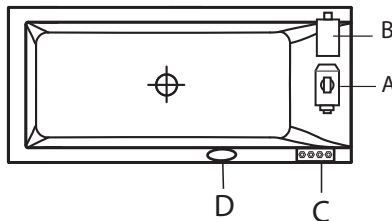


Airpool

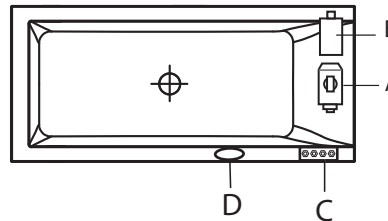


- A = Pump**
- B = Blower**
- C = Elettrical Control**
- D = Digital Control**

Whirlpool airpool

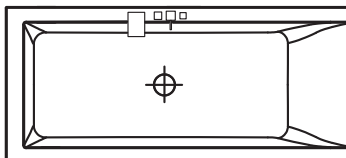


Professional whirlpool airpool



The location of the particular A-B-C They can vary in the tanks with accessories (radio - color therapy - heater). While it is as in the drawing is for positioning of the left tank that right.

Tap



- The position of the cap disinfection (in digital systems whirlpool, whirlpool airpool and professional whirlpool airpool) is set from the factory at the time of construction of the tank.