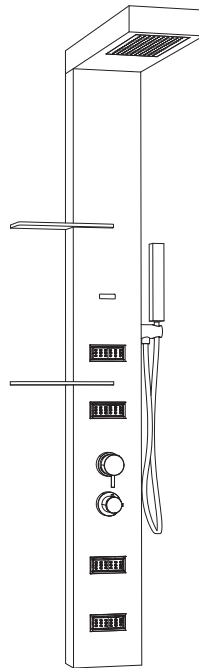


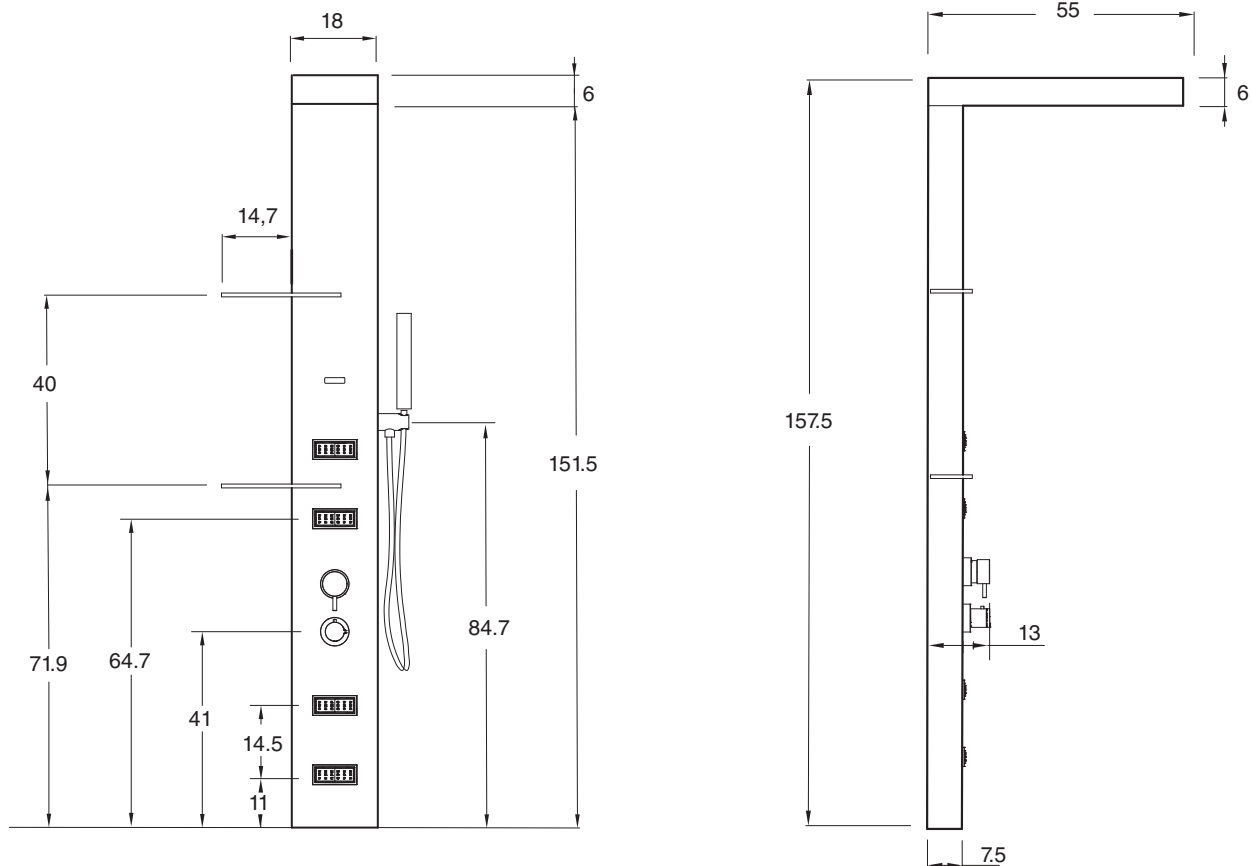
LIGHT e LIGHT PLUS

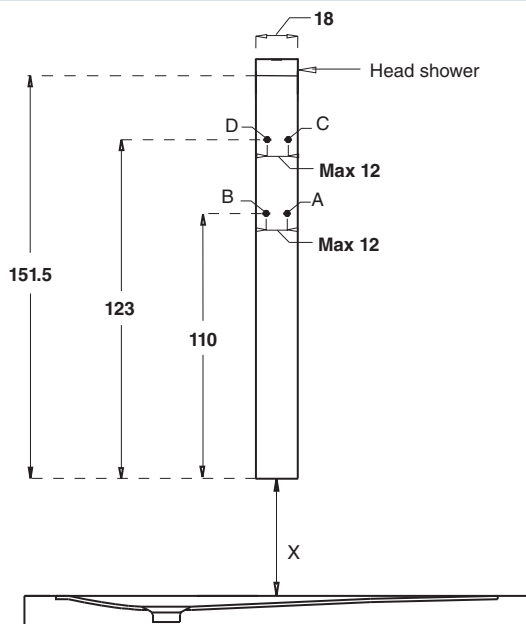
Technical data sheet



TECHNICAL DATA	SISTEM	Electrical specification			Hydraulic characteristics			Dimensions		Overall Dimensions				
		Volt	VA	Hz	Water consumption	Pressure Exercises	Links H/C Water	Width	Height	Pack dimensions			Weight	
										Length	Width	Height	Net	Gros
	BASE PLUS	12 VAC	20	50	lt/min 20	1,5/4,5	1/2"	18	157.5	170	30	40	24	30

The actual dimensions may be ± 1 cm.
The overall dimension values are expressed in centimetres.





KEY

- A - Hot water connection 1/2" F
- B - Cold water connection 1/2" F
- C - Equipotential output
- D - Output power cablet (12 Vac-20 VA)
(Plus version only)
- X - Height shower
(be calculated according to the user's height)

INSTALLATION:

- Installation must be done on the floor once walls are finished and shower tray installed.
- Do not have pipes passing where fixing holes have to be made.

CAUTION

The transformer **MUST** be SELV-equivalent, with relative double insulation and maximum secondary voltage of 12 Vac. Do not use electronic transformers. The transformer must not be placed inside the column or shower.

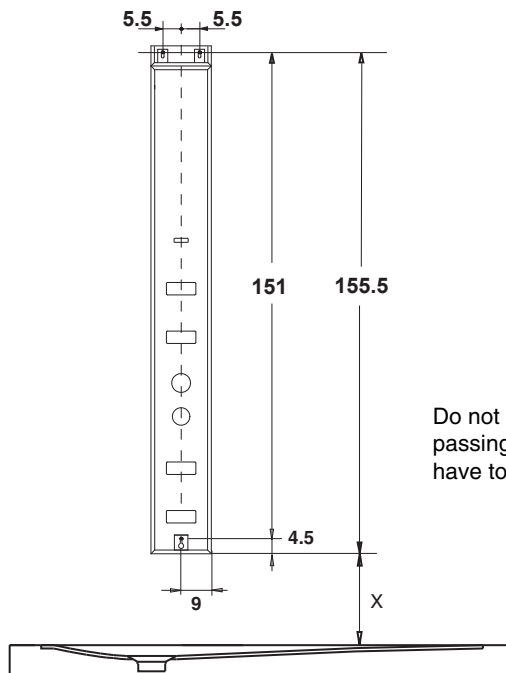
The product must be connected to the building's equipotential system in compliance with applicable regulations in the country of use.

Installation must be carried out by qualified personnel.

Is recommended to stop the power line of the column with an external switch

* The height from the ground for connection to hot and cold water vary according to the height from the shower tray.

FIXING HOLES



Do not have pipes passing where brackets have to be hanged.

NOTICE: If the conditions indicated should not be observed, even partially, the safety of the column may be compromised: therefore both the guarantee, and the responsibility of the manufacturer for any direct or indirect damage caused by the product are forfeit. The lapse of the guarantee, in the hypothesis indicated above, will have as a result the replacement of the parts which are recognized as being defective, without covering labor costs necessary for the removal of the product.