

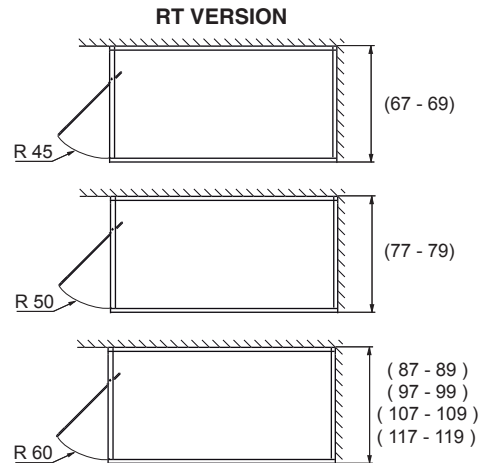
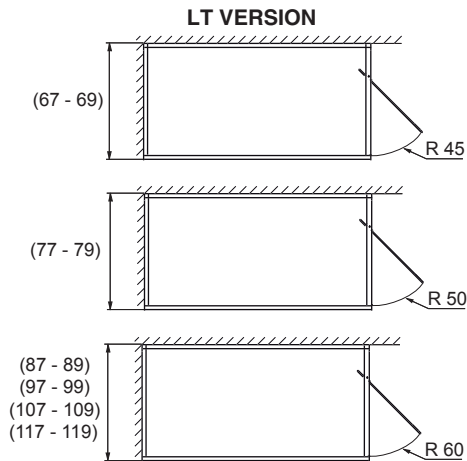
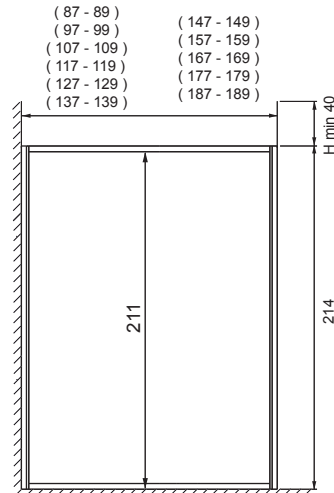
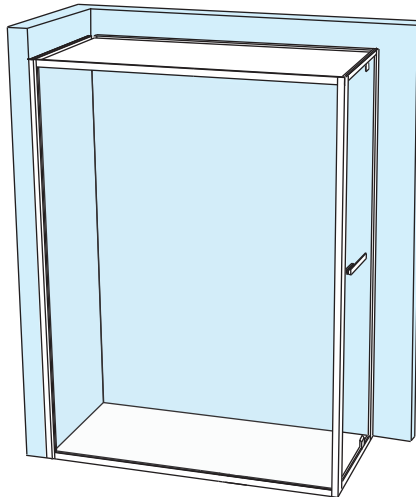
GEMINI 4

CORNER UNIT WITH LATERAL DOOR

Technical data sheet

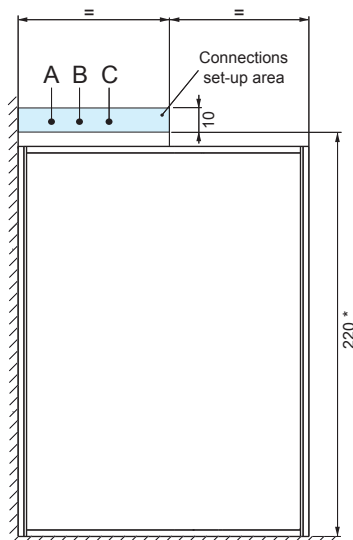


LT VERSION



- The overall dimension values are expressed in centimeters, the actual dimensions may vary by ± 0.5 cm.
- Install once floors and walls have been finished and the shower tray has been installed.
- Make sure that the pipes do not pass where the mounting holes have to be made.

ELECTRICAL AND PLUMBING PROVISIONS



KEY:

- A - Mixed water outlet;
- B - Cromotherapy supply tube outlet (d=20mm);
- C - 220 Volt - 50 Hz power outlet.

ACCESSORIES:

GEMINI STALL with 26 x 26 **INTEGRATED SHOWER HEAD** accessory: complete with mixed water outlet. HAFRO PRICE LIST CODE. 0RBH3N0 : (A)

GEMINI STALL with 30 x 30 **CROMOTHERAPY SHOWERHEAD** accessory: complete with d=20mm connection pipe encased between the column and the dedicated connections set-up area (see the respective RIGENERA column technical data sheet). HAFRO PRICE LIST CODE. 0CSA1 N0-0CSA2N0 : (A - B)

GEMINI STALL with 30 x 30 **STEEL CROMOTHERAPY SHOWER HEAD AND REMOTE CONTROL** accessory: complete with mixed water and power outlets. HAFRO PRICE LIST CODE. 0CSA3N0 : (A - C)

* The height from the ground for connection to hot and cold water varies according to the height from the shower tray.

WARNING: if the conditions indicated are not observed, the safety of the stall may be compromised: in this case, the product guarantee and the manufacturer's responsibility for any direct or indirect damage caused by the product shall be void. When the guarantee is voided, for the above-mentioned reason, only parts recognised as being defective will be replaced and costs relating to the labour necessary for product removal will not be covered.