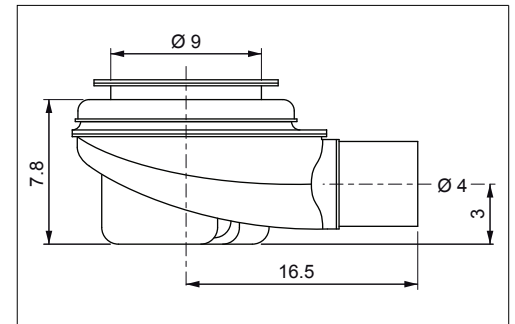


B	PROFONDITA' (A)				L
	70	80	90	100	
80	5FRM6N0	5FRO2N0*	X	X	25
90	5FRM7N0	5FRO4N0	5FRP9N0*	X	25
100	5FRM8N0	5FRO5N0	5FRR2N0	5FRS7N0*	25
110	5FRM9N0	5FRO6N0	5FRR3N0	5FRS9N0	25
120	5FRN1N0	5FRO7N0	5FRR4N0	5FRT1N0	25
130	5FRN2N0	5FRO8N0	5FRR5N0	5FRT2N0	35
140	5FRN3N0	5FRO9N0	5FRR6N0	5FRT3N0	35
150	5FRN4N0	5FRP1N0	5FRR7N0	5FRT4N0	35
160	5FRN5N0	5FRP2N0	5FRR8N0	5FRT5N0	45
170	5FRN6N0	5FRP3N0	5FRR9N0	5FRT6N0	45
180	5FRN7N0	5FRP4N0	5FRS1N0	5FRT7N0	45
190	5FRN8N0	5FRP5N0	5FRS2N0	5FRT8N0	62
200	5FRN9N0	5FRP6N0	5FRS3N0	5FRT9N0	62
210	5FRO1N0	5FRP7N0	5FRS4N0	5FRU1N0	62



I valori di ingombro sono espressi in centimetri.

The values of the dimensions are expressed in centimeters.

Die Werte der Abmessungen sind in cm angegeben.

Los valores de las dimensiones se expresan en centímetros.

Les valeurs des dimensions sont exprimées en centimètres.

* : tutti i piatti quadrati, fino alla misura di 100x100 cm, hanno lo scarico centrale.

*: All square plates, up to 100x100 cm, have central discharge.

*: Alle quadratischen Platten, bis zu 100x100 cm Größe, haben einen zentralen Abfall.

*: Todos los platos cuadrados, hasta 100x100 cm de tamaño, tienen una central de residuos.

*: Toutes les plaques carrées, jusqu'à 100x100 cm taille, ont une perte centrale.