

# ETOILE 55 column

# technical data sheet



**LEGENDA:**

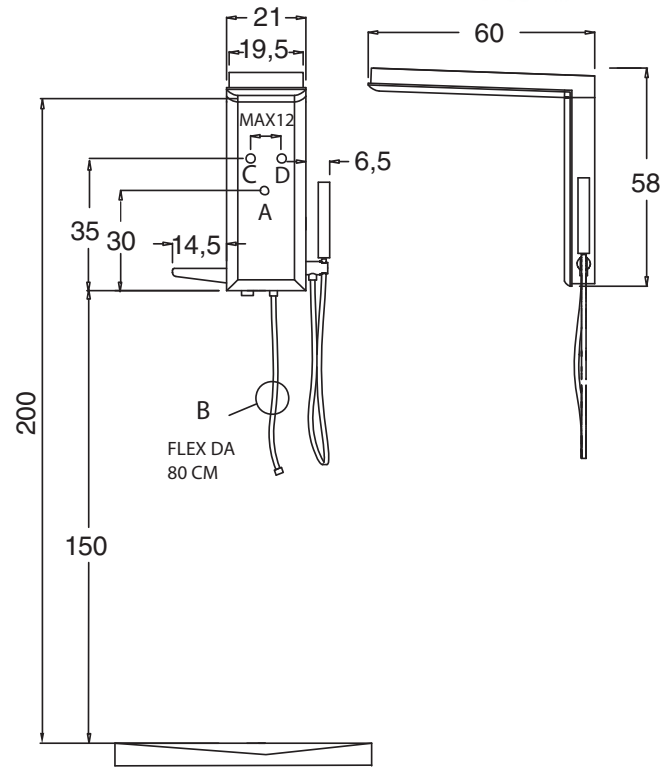
- A - Hot mixed water connection 1/2" F
  - B - Cold mixed water connection 1/2" F
  - C - Equipotential output
  - D - Power cable outlet Ø 25 mm (12 Vac-20 VA)  
(for plus model only)
  - X - Height from shower tray  
(to be calculated based on the height of the user)
- } One excludes the other

**CAUTION**

The transformer used **MUST** be SELV-equivalent, with relative double insulation and maximum secondary voltage of 12 Vac. Do not use electronic transformers. The transformer must not be placed inside the column or shower.

The product must be connected to the building's equipotential system in compliance with applicable regulations in the country of use. Installation must be carried out by qualified personnel.

\* The height from the ground for connection to hot and cold water vary according to the height from the shower tray.



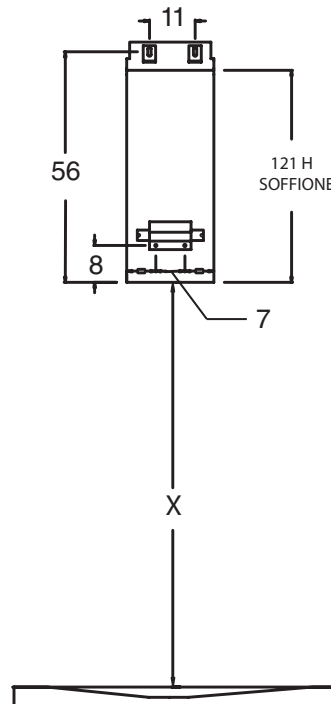
**MEASUREMENTS FOR POSITIONING THE BRACKETS**

**INSTALLATION:**

- Installation must take place when the floor and walls have been finished and the shower tray has been installed.
- Make sure that the pipes do not pass where fixing holes have to be made.

**Caution:**

Provide a protective divider wall so that the whirlpool jets do not leak into the room.



SYSTEM	Electrical characteristics			Hydraulic characteristics			Dimensions		Overall dimensions				
	VOLTS	VA	Hz	max	operating	H/C water	Width	Height	Pack dimensions			Weight	
				water consumption	pressure	connections			Length	Width	Height	Net	Gross
	12VAC	20	50	lt/min 20	1,5/4,5	1/2"	26	58	83	36	76	7	10

The actual dimensions may vary by ± 1 cm.  
The overall dimension values are expressed in centimetres.