

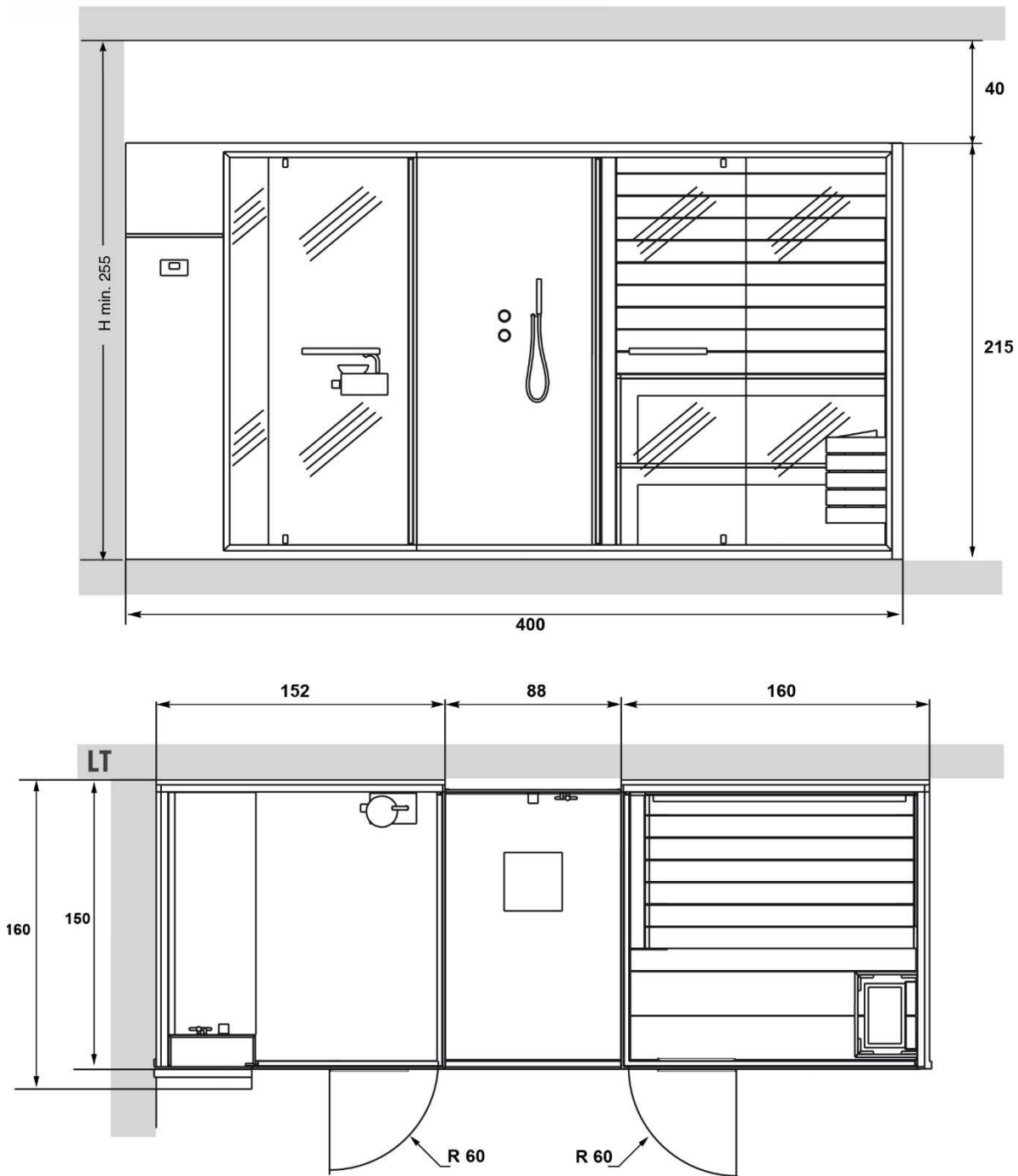
# ETHOS 400x150 H 214

TURKISH BATH + SHOWER + SAUNA

LT VERSION



The overall dimension values are expressed in centimetres.  
The actual dimensions may vary by  $\pm 1$  cm.

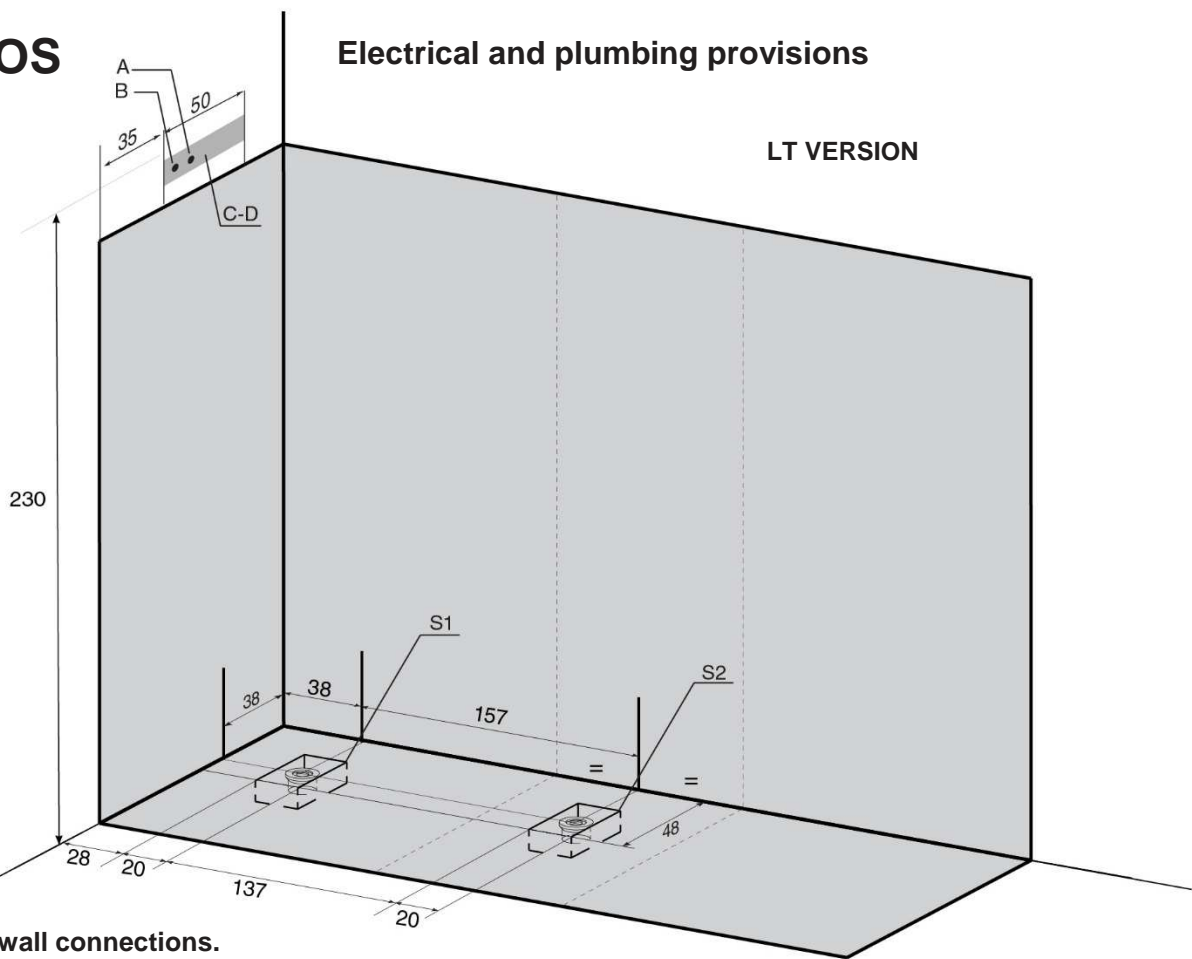


The minimum height of the wall tiles without protrusions is equal to the height of the stall.  
On the walls there cannot be any greca or quarter round decorative patterns.

# ETHOS

## Electrical and plumbing provisions

LT VERSION



### KEY

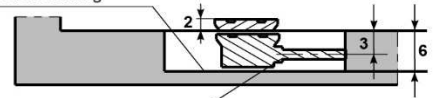
#### A-B- Water wall connections.

- A - 1/2" F cold water wall connection.
- B - 1/2" F hot water wall connection.

#### C-D- Electrical tube outlet.

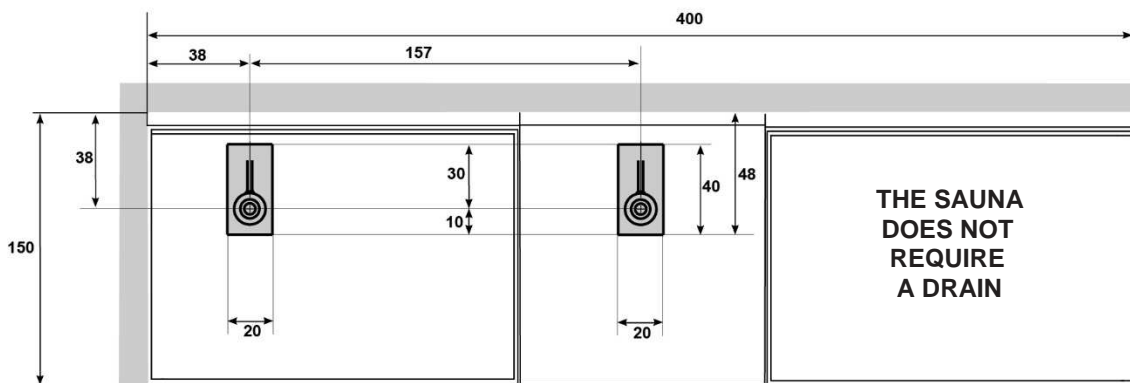
- C - Power cable outlet (SINGLE PHASE OR THREE PHASE).
- D - Equipotential cable outlet.
- S1 - Turkish bath drain Ø 40mm.
- S2 - Shower drain Ø 40mm.

Provide waterproof sheathing



Tube with sleeve Ø 40

ELECTRICAL CHARACTERISTICS:	RESISTANCES	Volts	A	Kw	Hz	FUSE	MAXIMUM TEMPERATURE
TURKISH BATH	2x2000 W	230	17	4	50	1x25 A	50 °C
		400	10	4	50	2x16 A	
ELECTRICAL CHARACTERISTICS:	RESISTANCES	Volts	A	Kw	Hz	FUSE	MAXIMUM TEMPERATURE
SAUNA	2x1800 W	230	16	3.6	50	1x20 A	100 °C
		400	8	3.6	50	2x16 A	



SAUNA VITA srl reserves the right to make changes to products at any time without giving prior notice