

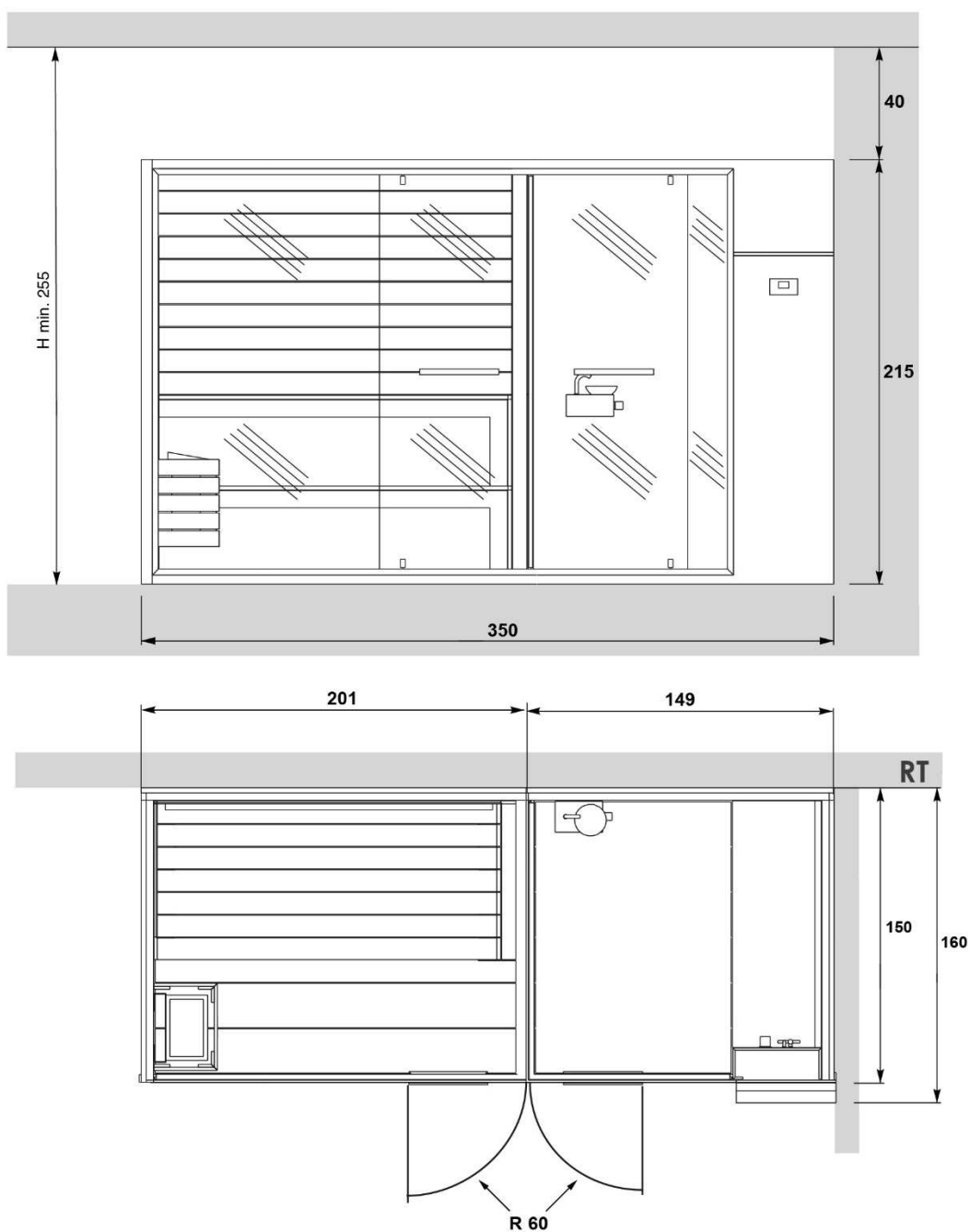
ETHOS 350 x 150 H 214

SAUNA + TURKISH BATH

RT VERSION

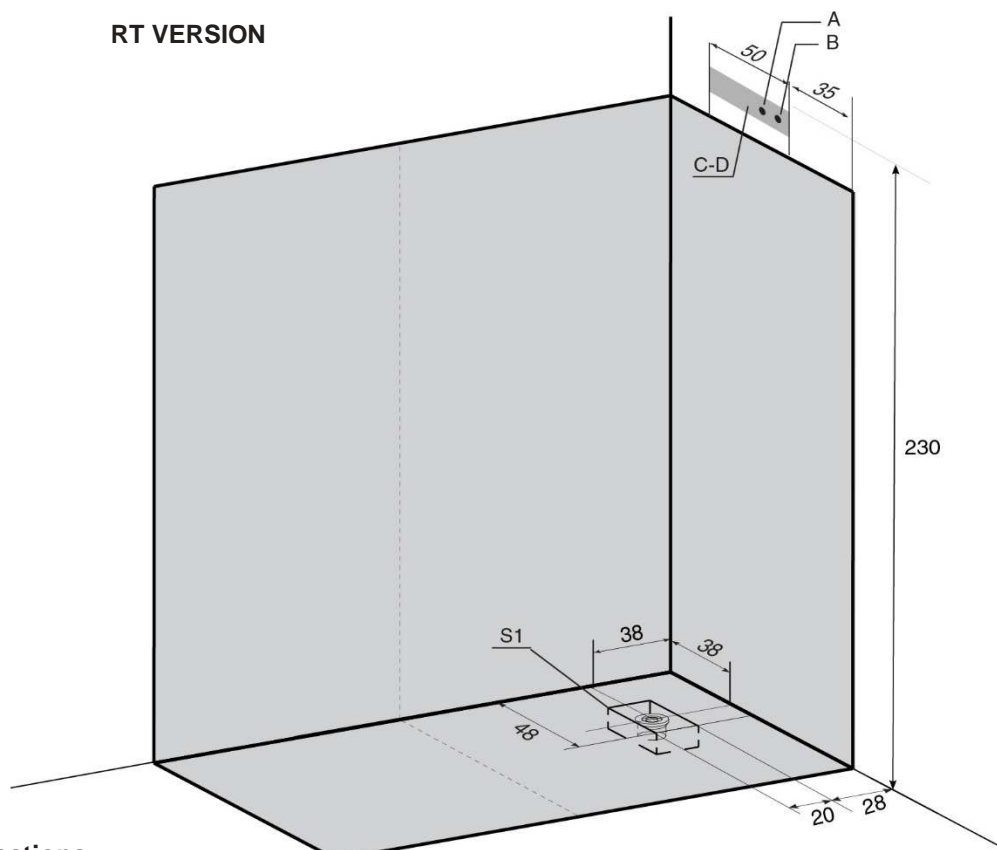


The overall dimension values are expressed in centimetres.
The actual dimensions may vary by ± 1 cm.



The minimum height of the wall tiles without protrusions is equal to the height of the stall.
On the walls there cannot be any greca or quarter round decorative patterns.

RT VERSION



KEY

A-B- Water wall connections.

A - 1/2" F cold water wall connection.

B - 1/2" F hot water wall connection.

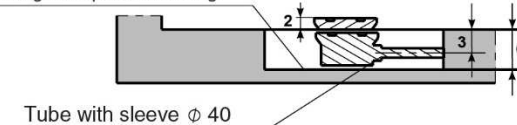
C-D- Electrical tube outlet.

C - Power cable outlet (SINGLE PHASE OR THREE PHASE).

D - Equipotential cable outlet.

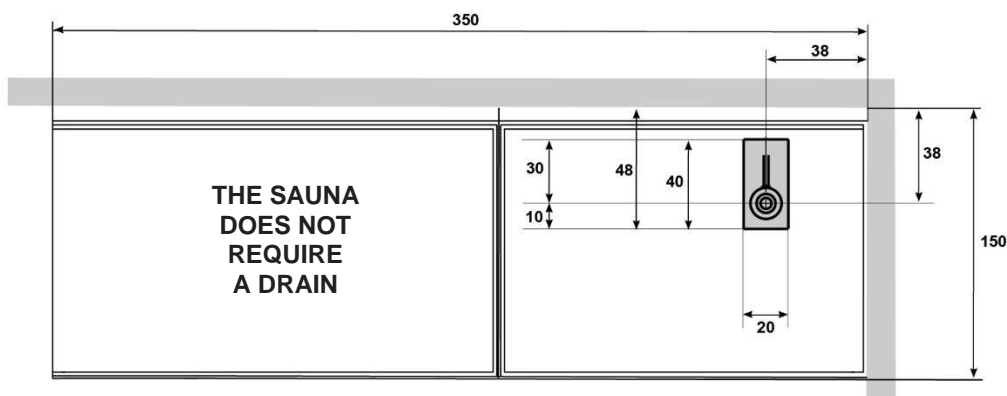
S1 - Turkish bath drain Ø 40mm.

Providing waterproof sheathing



Tube with sleeve ϕ 40

ELECTRICAL CHARACTERISTICS:	RESISTANCES					FUSE	MAXIMUM TEMPERATURE
		Volts	A	Kw	Hz		
TURKISH BATH		230	17	4	50	2x25 A	50 °C
		400	10	4	50	3x16 A	
ELECTRICAL CHARACTERISTICS:	RESISTANCES	Volts	A	Kw	Hz	FUSE	MAXIMUM TEMPERATURE
SAUNA	3x1.5Kw	230	20	4.5	50	2x25 A	100 °C
		400	12	4.5	50	4x10 A	



SAUNA VITA srl reserves the right to make changes to products at any time without giving prior notice