

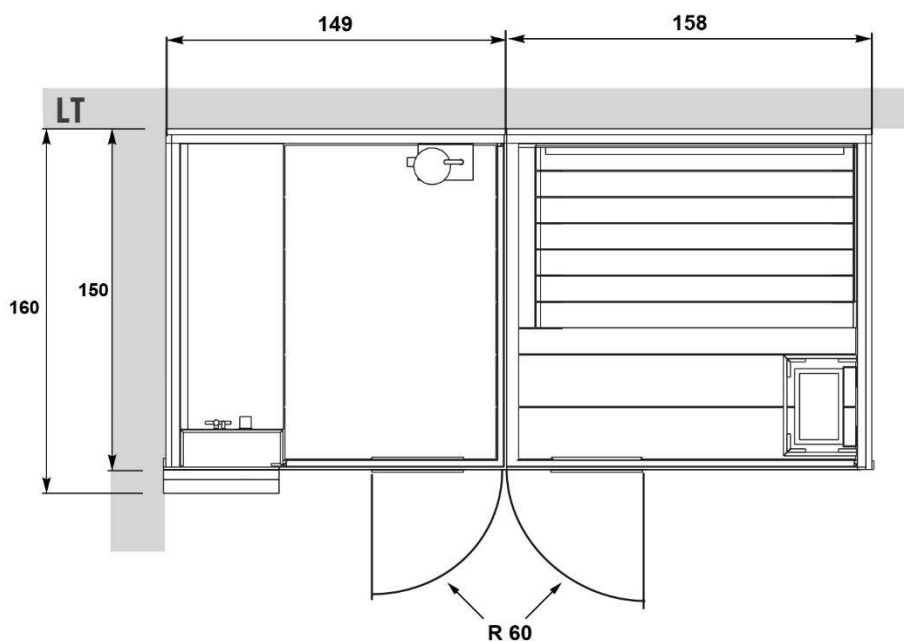
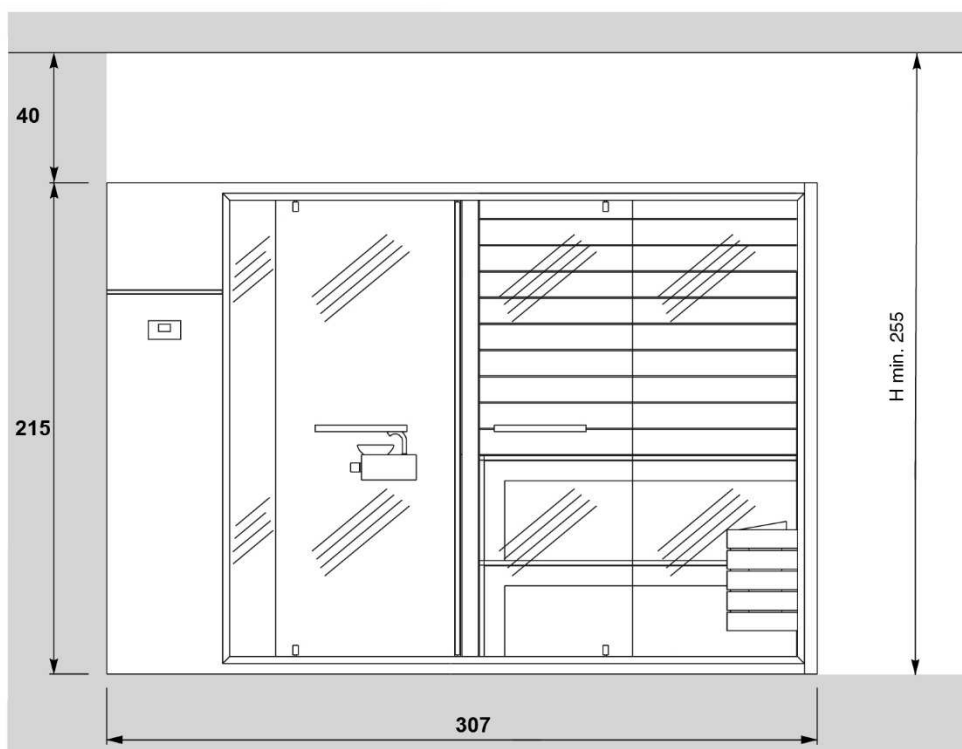
ETHOS 310x150 H 214

SAUNA + TURKISH BATH

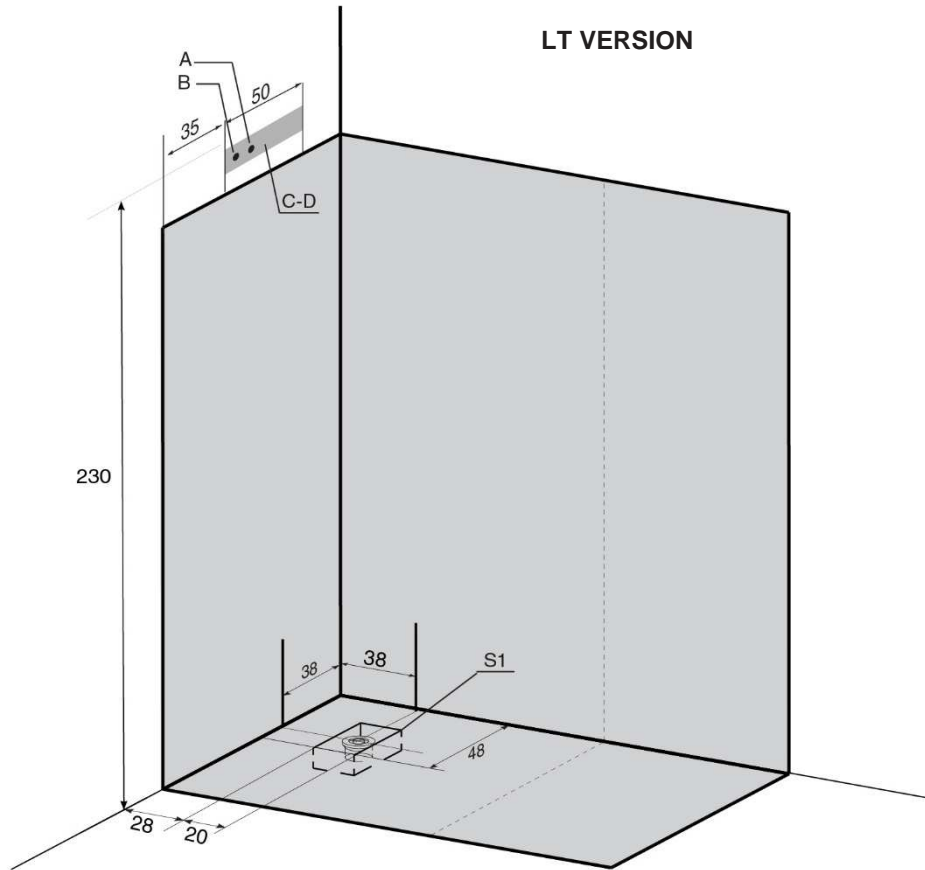
LT VERSION



The overall dimension values are expressed in centimetres.
The actual dimensions may vary by ± 1 cm.



The minimum height of the wall tiles without protrusions is equal to the height of the stall.
On the walls there cannot be any greca or quarter round decorative patterns.



KEY

A-B- Water wall connections.

A - 1/2" F cold water wall connection.

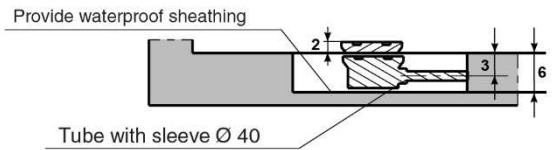
B - 1/2" F hot water wall connection.

C-D- Electrical tube outlet.

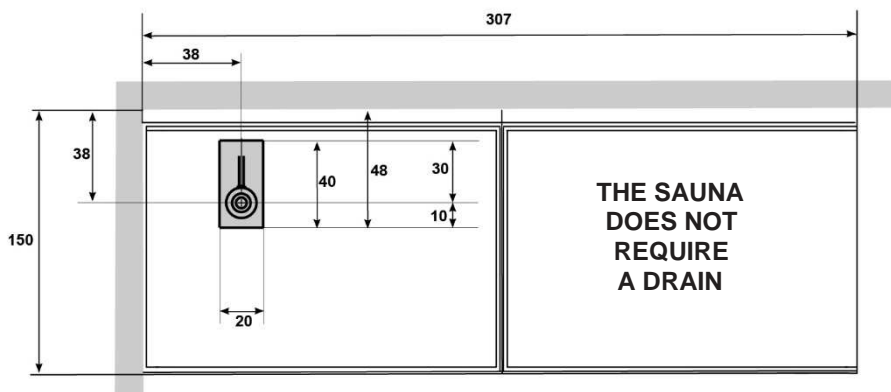
C - Power cable outlet (SINGLE PHASE OR THREE PHASE).

D - Equipotential cable outlet.

S1 - Turkish bath drain Ø 40mm.



ELECTRICAL CHARACTERISTICS:	RESISTANCES	Volts	A	Kw	Hz	FUSE	MAXIMUM TEMPERATURE
TURKISH BATH	2 x 2.000W	230	17	4	50	1x25 A	50 °C
		400	10	4	50	2x16 A	
ELECTRICAL CHARACTERISTICS:	RESISTANCES	Volts	A	Kw	Hz	FUSE	MAXIMUM TEMPERATURE
SAUNA	2 x 1.800W	230	16	3.6	50	1x20 A	100 °C
		400	8	3.6	50	2x16 A	



SAUNA VITA srl reserves the right to make changes to products at any time without giving prior notice