

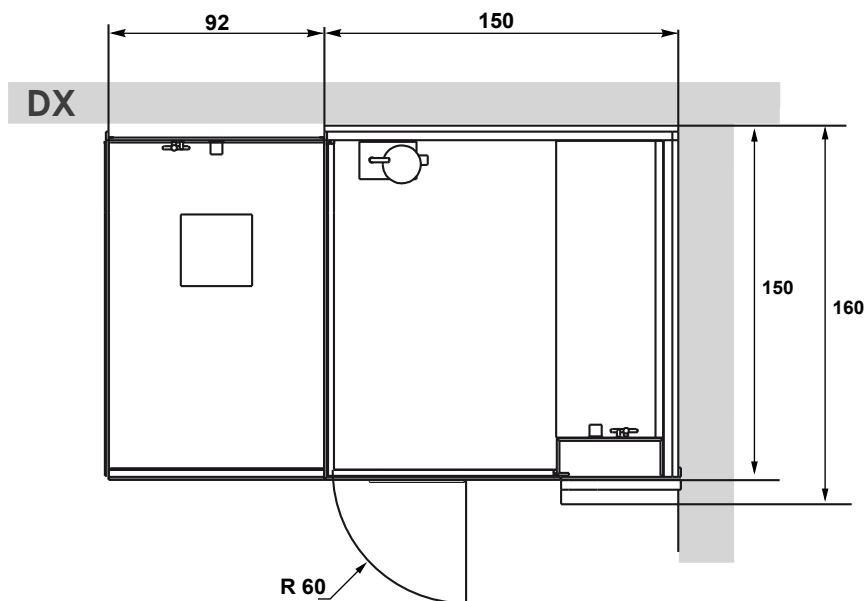
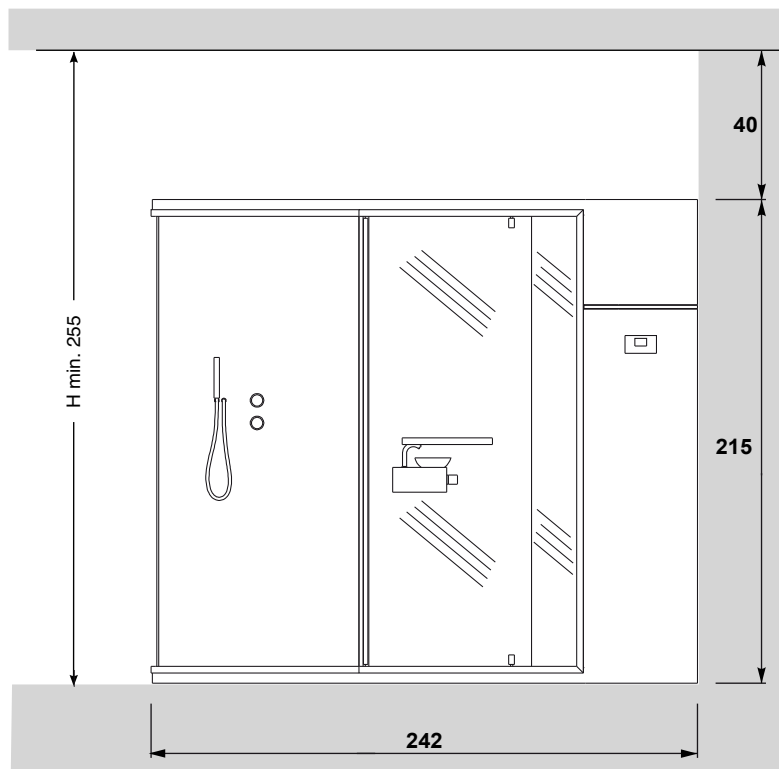
# ETHOS 242x150 H 214

TURKISH BATH + SHOWER

RT VERSION

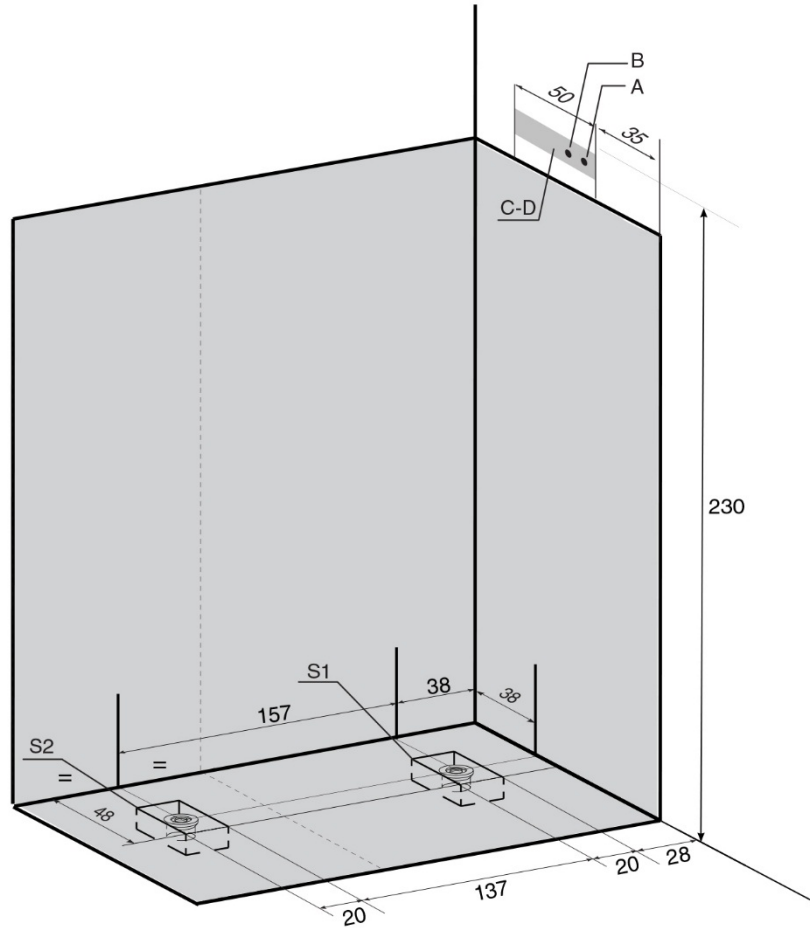


The overall dimension values are expressed in centimetres.  
The actual dimensions may vary by  $\pm 1$  cm.



The minimum height of the wall tiles without protrusions is equal to the height of the stall.  
On the walls there cannot be any greca or quarter round decorative patterns.

**RT VERSION**



**KEY**

**A-B- Water wall connections.**

**C"** - 1/2" F cold water wall connection.

**D"** - 1/2" F hot water wall connection.

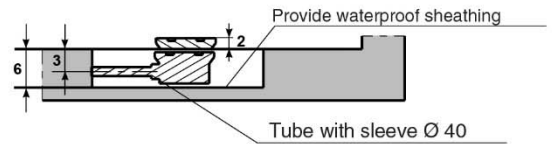
**C-D- Electrical tube outlet.**

**E"** - Power cable outlet (SINGLE PHASE OR THREE PHASE).

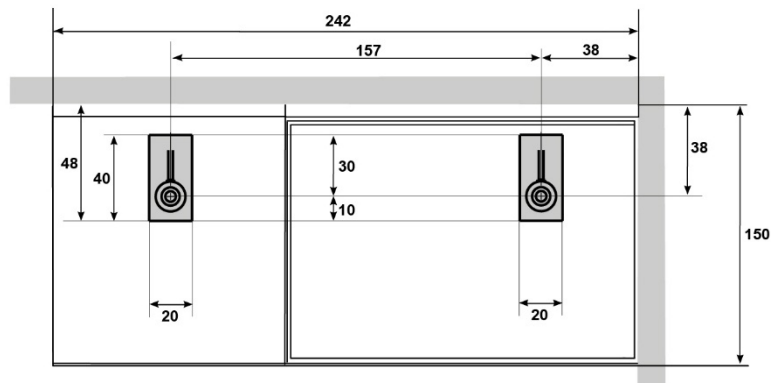
**F"** - Equipotential cable outlet.

**S1** - Turkish bath drain Ø 40mm.

**S2** - Shower drain Ø 40mm.



ELECTRICAL CHARACTERISTICS:	RESISTANCES	Volts	A	Kw	Hz	FUSE	MAXIMUM TEMPERATURE
		<b>TURKISH BATH</b>	2 x 2.000 W	230	17	4	50
		400	10	4	50	2x16 A	



SAUNA VITA srl reserves the right to make changes to products at any time without giving prior notice