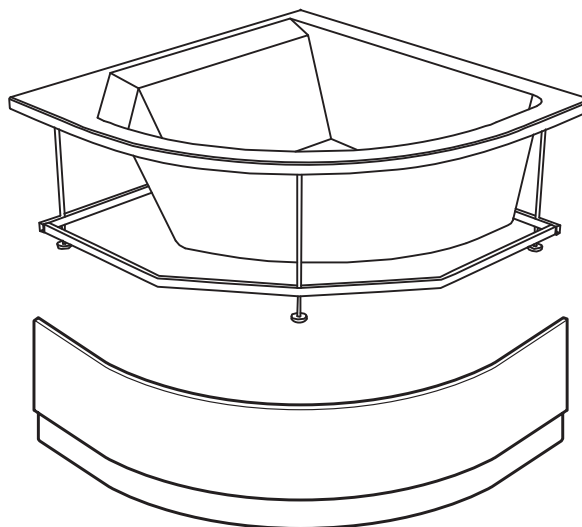


The bath must be installed by a qualified electrician and plumber.

Before connecting the bath, the installer must see that the electrical system is protected by a circuit breaker (0.03) and that the earthing system complies with the laws in force in the country of installation.

The whirlpool bath must be connected to the electrical system permanently (with an H05 cable - 3x2.5 mm<sup>2</sup> three-pole with a 2.5 mm<sup>2</sup> cross section) by means of a double-pole switch (minimum 3 mm opening between contacts) and suitably rated (KW) for the appliance to be connected, located away from areas 0,1,2,3 and from areas where jets of water are possible.



SYSTEMS	Electrical specifications				Jets		Water cont.		Size			Packing dimensions			Weight	
	Volt	A	kW	Hz	Whirl	Air	use	max.	length	width	height	length	width	height	net	gross
Whirl. manuale	230	4,5	0,95	50	7	-	220	260	140	140	59	146	146	77	60	87
Whirl. digitale	230	4,5	0,95	50	7	-	220	260	140	140	59	146	146	77	60	87
Airpool	230	3	0,7	50	-	16	220	260	140	140	59	146	146	77	52	79
Whirl. airpool	230	7,5	1,7	50	7	12	220	260	140	140	59	146	146	77	67	94
Profes. Whirl. Air.	230	7,5/11,4*	1,7/2,5*	50	7	20	220	260	140	140	59	146	146	77	72	99
Vasca con telaio	-	-	-	-	-	-	220	260	140	140	59	146	146	77	45	71

\* with heater active

The data are to be considered without panels and accessories

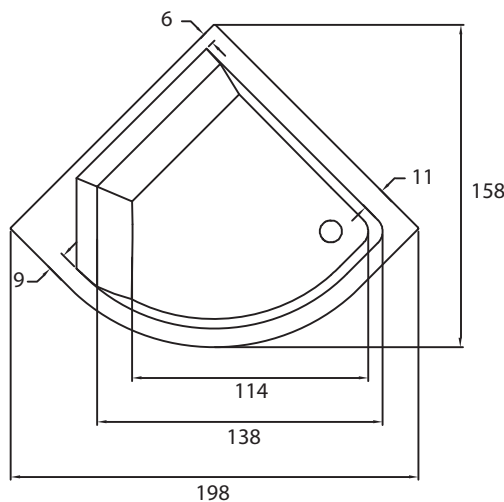
The bath must also be connected to the building's equipotential earthing system by means of a terminal on the frame.

If the bath is to be recessed in walls, the guarantee will only be valid if the walls are fitted with inspection and aeration grids of a suitable size.

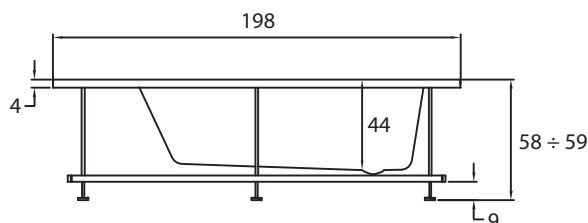
It is also important that the bath can be taken out at any time without having to do anything to the walls.

**WARNING:** if all or even part of the above described conditions are not complied with the safety of the whirlpool bath cannot be guaranteed and, as such, not only is the guarantee invalidated but also the manufacturer can in no way be held liable for any direct or indirect damages caused by the bath.

In those cases where such conditions are not complied with, the guarantee will only cover the substitution of parts deemed defective and not the labour needed if the bath has to be removed.



The overall dimensions are given in centimetres. Actual dimensions can vary by ± 1 cm.



If the bath is recessed the masonry cannot reenter more than 1 cm with respect to the external edge of the bath.

### LEGEND

- A - 1/2" cold water fitting.
- A1 - Fitting for wall tap.
- B - 1/2" hot water fitting.
- C - Output for the power supply cable type H05 3x2.5mm<sup>2</sup> (length min. 2 [m])
- D - Output for the equipotential cable
- E - Scarico pavimento Ø 40.

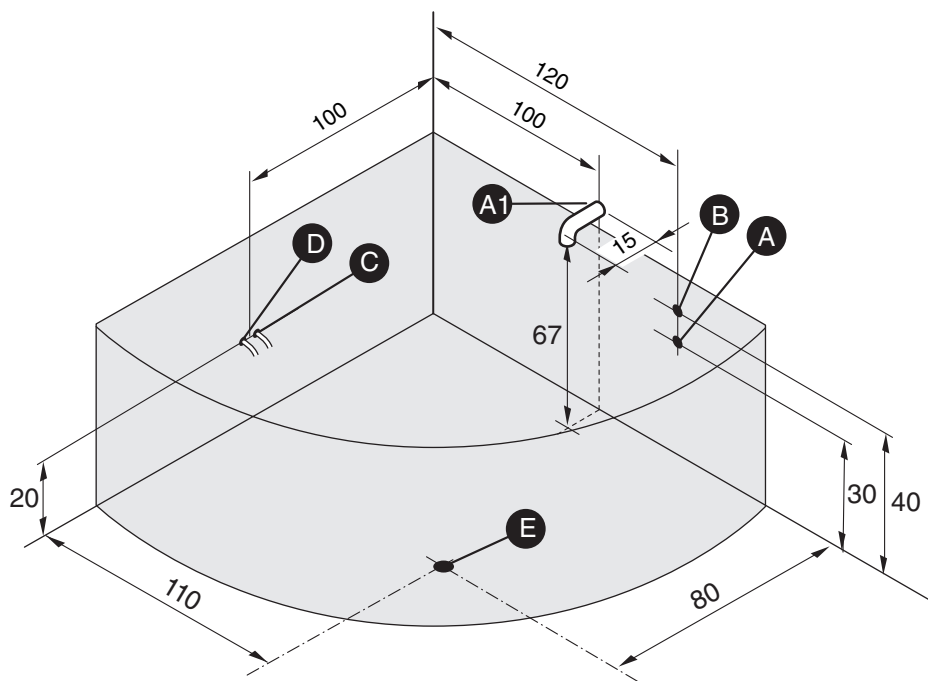
### NOTE:

For baths with frame do not prepare the power cable.

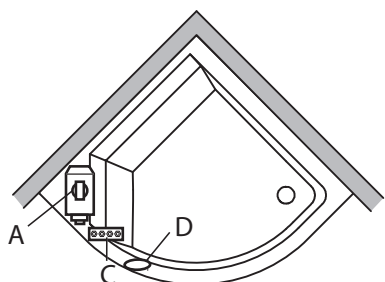
Prepare the equipotential cable in all cases.

For the tap as per our catalogue, use fittings A and B only.

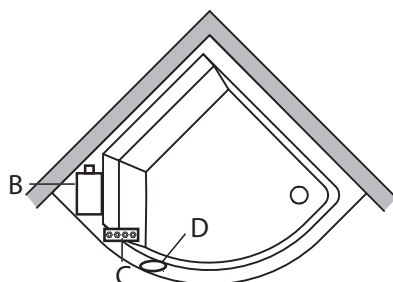
If wall tap are going to be used instead (A1), take into consideration the measurements given in the drawing as the centre of the tap. The tap for filling the bath with water must be at least 5 cm higher than the edge of the bath.



### POSITIONING THE TURNING ON CONTROLS AND TAPS



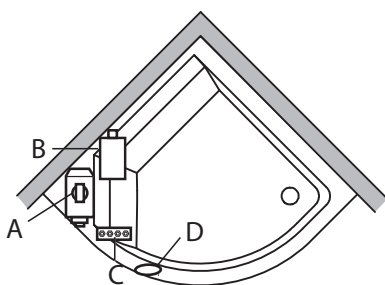
Whirlpool manuale o Whirlpool digitale



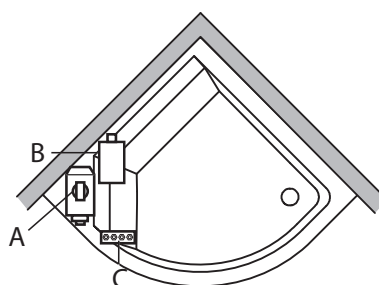
Airpool

- A = Pump
- B = Blower
- C = Eletrical Control
- D = Digital Control

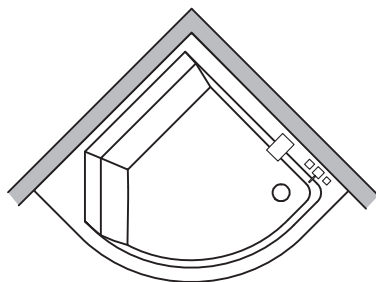
Position of points A-B-C are different in the tubs with accessories (radio - chromotherapy - heater).



Whirlpool airpool



Professional whirlpool airpool



- The position of the disinfectant tap is seen to in the factory as the bath is being made.