

**MINI-POOL
COUNTRY PLUS
218x218x H.91**

Technical data sheet



The mini-pool must be installed by personnel qualified in both electrical and hydraulic connections.

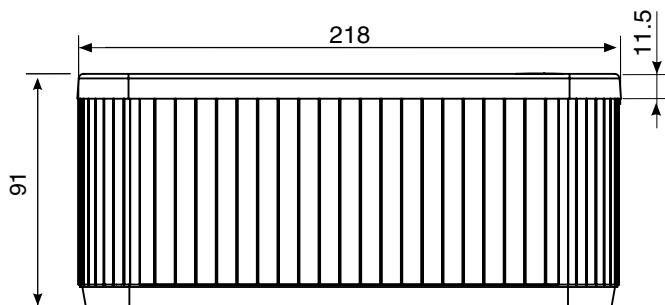
Before making the connections, the installer must verify that the electrical system is protected by an earthing system that complies with differential switch (0.03) regulations in force in the county of use.

The mini-pool must be connected to the electrical system in a fixed manner by means of a switch suitable for the power (kW) of the product to be connected and located outside zones 0, 1, 2 and 3.

The installer must use suitably sectioned cables that must not be inferior to type H 05 VV-F.

WARNING: if the conditions indicated are not observed, the safety of the mini-pool may be compromised: in this case, the product guarantee and the manufacturer's responsibility for any direct or indirect damage caused by the product shall be void.

When the guarantee is voided, for the above-mentioned reason, only parts recognised as being defective will be replaced and costs relating to the labour necessary for product removal will not be covered.



MINI-POOL	COUNTRY PLUS
DIMENSIONS cm	218X218X91
SEATS	5 PEOPLE
RECLINED SEAT	1 PERSON
LT	1200
PESO A VUOTO KG	320
JETS	66
PUMP	2X1 VELOCITA' 2200 Watt
BLOWER	110 Watt
HEATER	300 Watt
TOTAL CONSUMPTION KW	3000 Watt

COUNTRY PLUS

COLLEGAMENTO	FUSIBILI	HZ	Volt
SINGLE PHASE	1X32 A	50 HZ	230 V 1N ~
THREE PHASE	3X16 A	50 HZ	400 V 3N ~

The overall dimension values are expressed in centimetres. The actual dimensions may vary by +/- 0.5cm

**MINI-POOL
COUNTRY PLUS
218x218x H.91**

Technical data sheet



ENCASEMENT SET-UP

Create a concrete compartment to accommodate the mini-pool, in accordance with the measurements shown in the drawing, making sure that it is perfectly level. Set up a compartment of at least 60 cm around the perimeter of the mini-pool to ensure accessibility to the hydraulic and electrical system. Create a collection and draining system at the bottom of the compartment.

It must also be possible to move the mini-pool at any time without having to damage the walls.

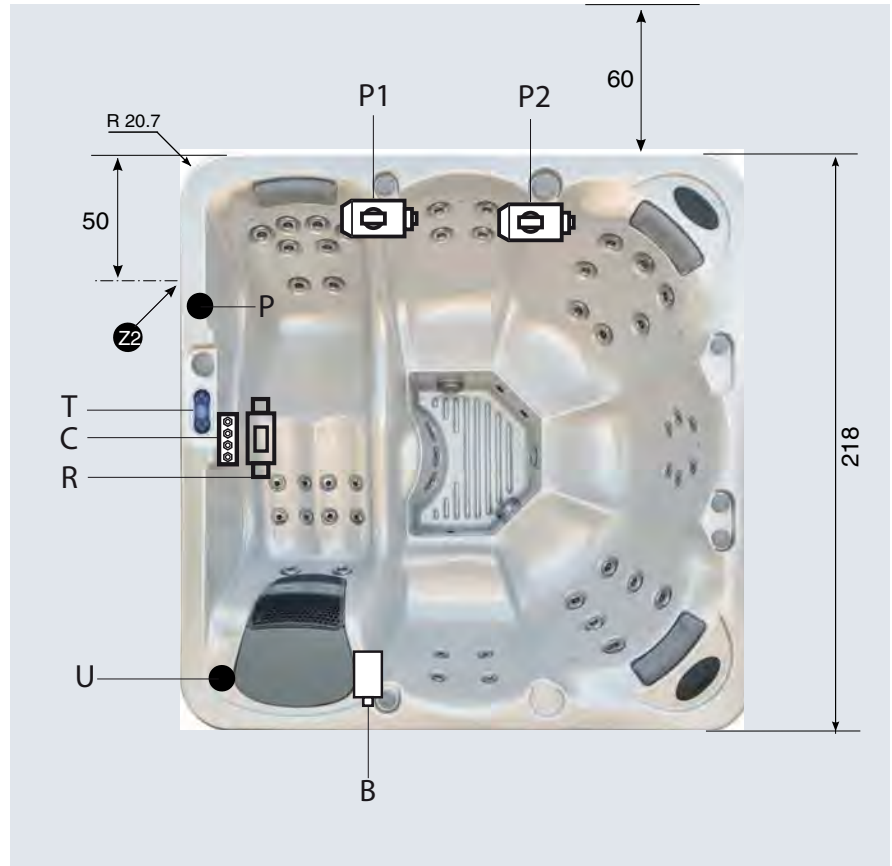
Provide aeration of a suitable measurement.

VENTILATION

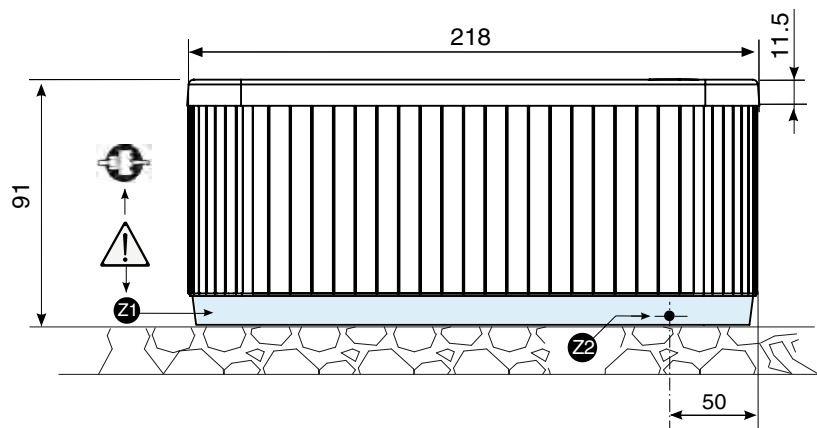
In the event of installation in a closed space, provide adequate ventilation of the environment itself.

LOAD SET-UP

It is advisable to use a flexible, external hose to fill the mini-pool, taking care not to immerse it to avoid any reflux of water into the water supply.



- P1 - P2 = Pumps**
- P = Recirculation pump**
- R = Heater**
- C = Electrical control unit**
- T = Keypad**
- U = Disinfection UV**
- B = Blower**



Z1 = Electrical access point

make a hole (with dimensions suitable for passing the power cable through it) in one of the 4 sides of area Z1.

Z2 = Drain 3/4"