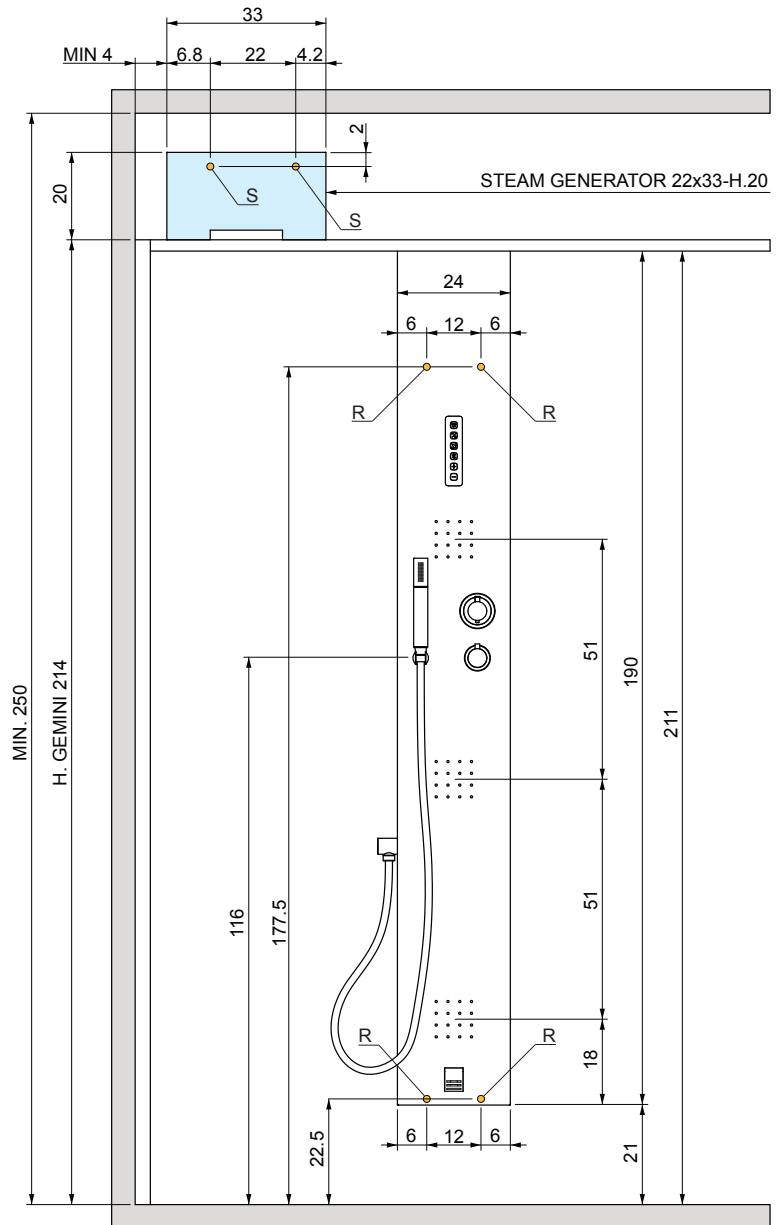
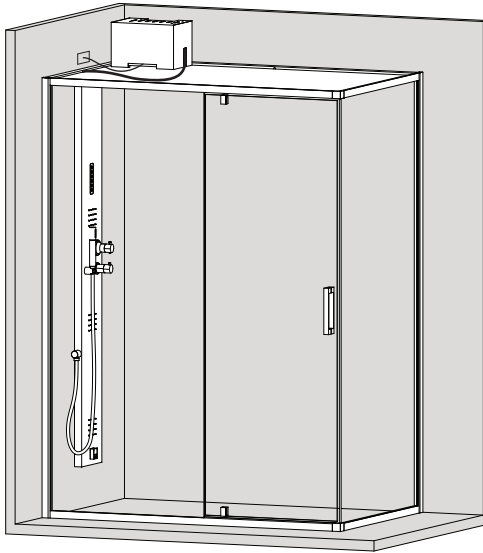
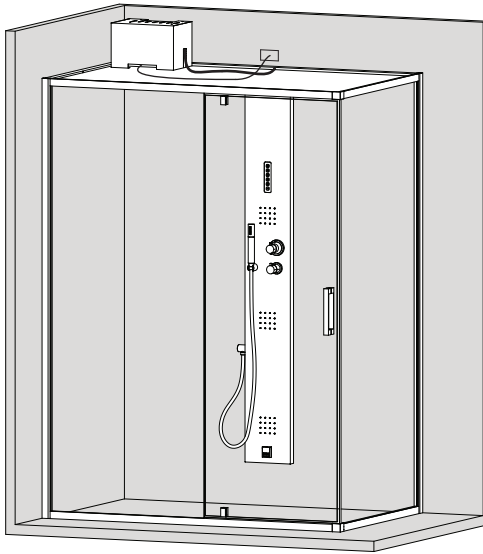


COLUMN G-STEAM

TECHNICAL DATA SHEET



THIS COLUMN IS ABBINABLE ONLY FOR BOX GEMINI



LEGEND:

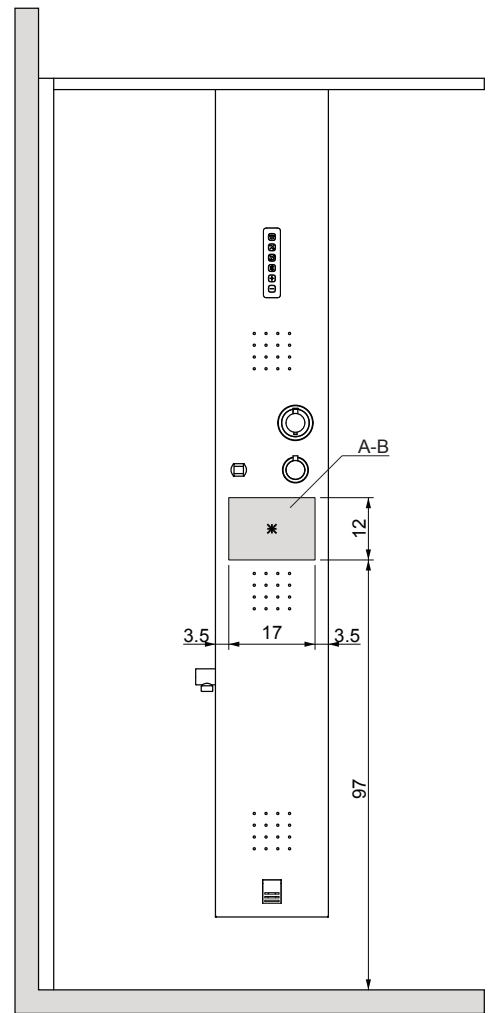
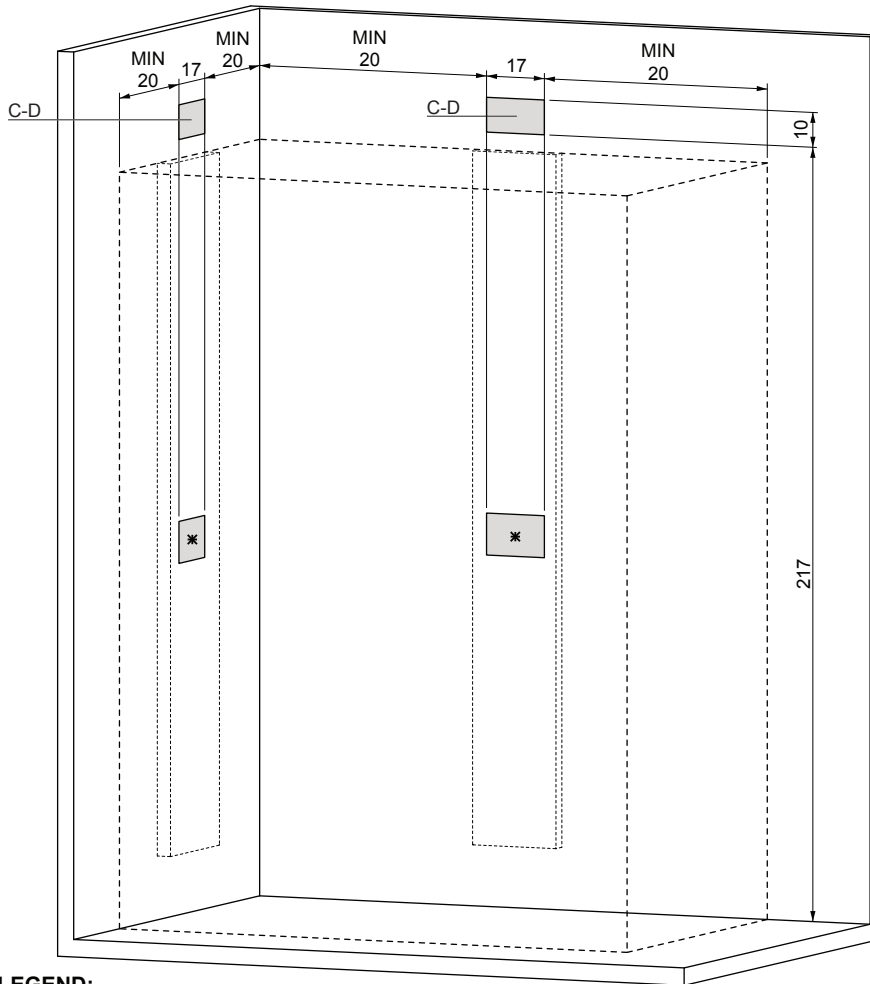
R: Column fixing holes;
S: Steam generator fixing holes.

- Installation must be done on finished walls. Make sure the piping does not pass where the fixing holes are to be made.
- Overall dimensions are expressed in mm. The actual dimensions may vary by ± 3 mm.
- The product must be connected to the equipotential equipment of the building compliant with the regulations in force in the country of use.

G-STEAM	ELECTRICAL CHARACTERISTICS			HYDRAULIC CHARACTERISTICS			PACKING DIMENSIONS			WEIGHT KG	
	VOLT	A	Hz	water consumption max of 3 bar	pressure exercise	connections water H / C	LENGTH	WIDTH	HEIGHT	NET	GROSS
G-STEAM BASE	X	X	X	15 L. min	bar 1.5 / 4.5	1/2 "	220	33	19	11	13
G-STEAM ON/OFF 2.5 KW	220 - 240	11.4 - 10.4	50 - 60	15 L. min	bar 1.5 / 4.5	1/2 "	220	33	19	11	13
G-STEAM ON/OFF 3.0 KW	220 - 240	13.6 - 12.5	50 - 60	15 L. min	bar 1.5 / 4.5	1/2 "	220	33	19	11	13
G-STEAM ON/OFF 4.0 KW	220 - 240	18.2 - 16.6	50 - 60	15 L. min	bar 1.5 / 4.5	1/2 "	220	33	19	11	13
G-STEAM TOP 2.5 KW	220 - 240	11.4 - 10.4	50 - 60	15 L. min	bar 1.5 / 4.5	1/2 "	220	33	19	11	13
G-STEAM TOP 3.0 KW	220 - 240	13.6 - 12.5	50 - 60	15 L. min	bar 1.5 / 4.5	1/2 "	220	33	19	11	13
G-STEAM TOP 4.0 KW	220 - 240	18.2 - 16.6	50 - 60	15 L. min	bar 1.5 / 4.5	1/2 "	220	33	19	11	13
VAPOR GENERATOR FOR VERSION ON/OFF E TOP							40	20	40	7	9

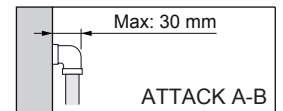
WARNING: In case of non-observance, even partial, of the safety conditions, both the warranty and the responsibility of the for any direct or indirect damage caused by the product. The termination of the guarantee, in the above-mentioned hypothesis, will have the effect of replacing only parts that will be recognized defective, without covering the costs of the manpower needed to remove the product.

ATTACKS PREPOSITION

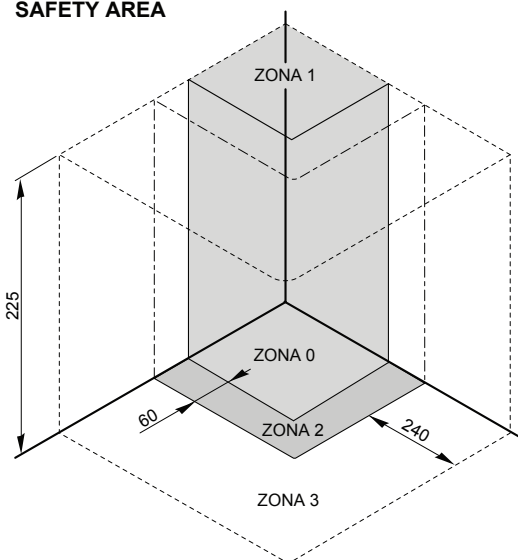


LEGEND:

- A:** Cold water wall connection from 1/2" F;
- B:** Hot water wall connection from 1/2" F;
- C:** Equipotential cable output - 2 meters long;
- D:** Power cable to be dimensioned according to the power of the column.
MONOPHASE connection - length 2 meters. ONLY FOR G-STEAM VERSION ON / OFF AND TOP



SAFETY AREA



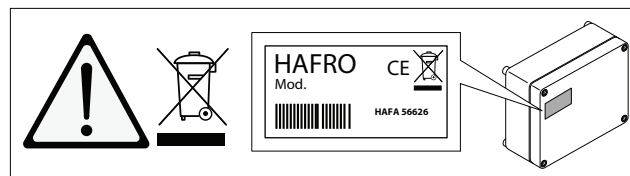
PREMISE:

WARNING: CHECK THE PACKAGE CONDITIONS ON THE RECEIPT OF GOODS AND PRODUCT, PARTICULARLY IF THE PACKAGE MAKES DAMAGES, DO IT NOTE DIRECTLY TO THE TRANSPORTOR. THE CONSTRUCTION COMPANY DECLINES ALL RESPONSIBILITY ON TRANSPORT.

- 2 people are required for assembly. We recommend the use of gloves.
- Handle delicate parts carefully.
- Check the conditions before installing.
- Before proceeding, make sure the preconfigured attacks are as per the card model technique to install. Also make sure the perpendicularity of the wall is guaranteed.

ELECTRICAL NOTES

Refer to electrical safety notes for electrical connections. The technical data of the column are indicated on the label in the back.



The installation of the Column must be performed by qualified or qualified personnel, both with regard to the electrical and hydraulic connections. Before proceeding with the connection, the installer must ensure that the electrical system complies with **CEI64.8** standards, protected by a switch differential 0,03A, and that the grounding system is efficient and complies with the above provisions.

The Shower column Hafros.r.l. (**models with electric current**) must be securely fixed and securely connected to the mains power supply to the ground system. The connection to the mains must be done by means of an omnipolar switch with a contact opening of at least 3mm and placed off safety zones as provided by **CEI64-8 / 7** last edition (it must be installed in areas not reachable by the user which is using the equipment) away from possible spraying of water dispensers. (see drawing) The cable for connection to the electrical system will have to be protected by a corrugated pipe that must not have junctions or intermediate connections. The cable must not have any characteristic that is inferior to the type H05 VV-F. The components used for the connection must have IP protection characteristics and degree as required by the **64.8** standards for applications in bathrooms and showers.

EQUIPOTENTIAL CONNECTION

The equipment must be connected to the equipotential equilibrium of the building by means of the appropriate clamp on the chassis duly indicated, as expected from standards **60335.2.105**.