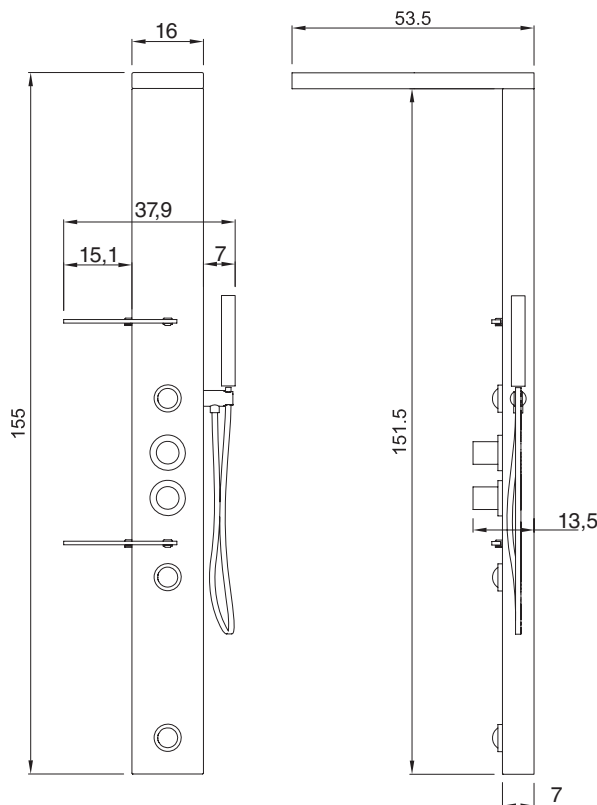
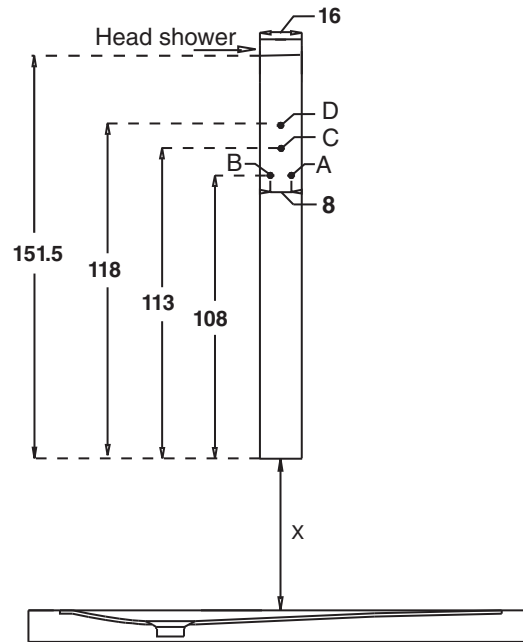


TECHNICAL DATA	Hydraulic characteristics		Dimensions		Pack dimensions			Weight	
	Water consumption	Pressure	Width	Height	Length	Width	Height	Net	Gros
	lt/min 20	2/3 bar	38	155	150	28	20	12	14

The actual dimensions may be ± 1 cm.
The overall dimension values are expressed in centimetres.





KEY

- A - Hot water connection 1/2" F
- B - Cold water connection 1/2" F
- C - Equipotential output
- D - Output power cable (12 Vac-20 VA)
(only if is request chromotherapy)
- X - Height shower
(To be calculated according to the user's height)

INSTALLATION:

- Installation must be done on the floor once walls are finished and shower tray installed.
- Do not have pipes passing where fixing holes have to be made.

CAUTION

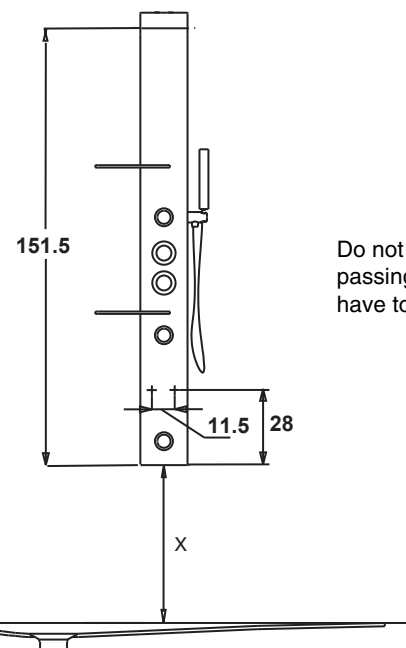
The transformer **MUST** be SELV-equivalent, with relative double insulation and maximum secondary voltage of 12 Vac. Do not use electronic transformers. The transformer must not be placed inside the column or shower.

The product must be connected to the building's equipotential system in compliance with applicable regulations in the country of use.

Installation must be carried out by qualified personnel.

It is recommended to stop the power line of the column with an external switch

* The height from the ground for connection to hot and cold water vary according to the height from the shower tray.



Do not have pipes passing where brackets have to be hanged.

NOTICE: If the conditions indicated should not be observed, even partially, the safety of the column may be compromised: therefore both the guarantee, and the responsibility of the manufacturer for any direct or indirect damage caused by the product are forfeit. The lapse of the guarantee, in the hypothesis indicated above, will have as a result the replacement of the parts which are recognized as being defective, without covering labor costs necessary for the removal of the product.