

**MINI-POOL
AVENUE
200x200x H.91**

technical
data sheet



The mini-pool must be installed by personnel qualified in both electrical and hydraulic connections.

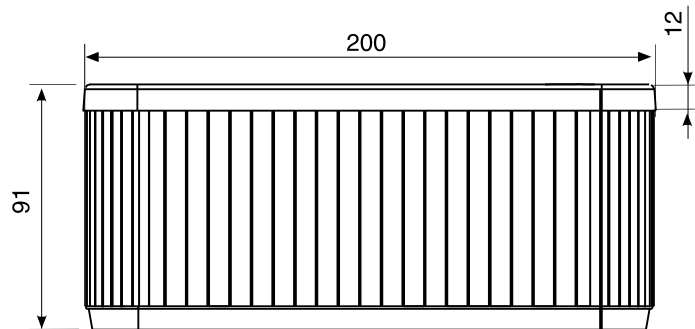
Before making the connections, the installer must verify that the electrical system is protected by an earthing system that complies with differential switch (0.03) regulations in force in the county of use.

The mini-pool must be connected to the electrical system in a fixed manner by means of a switch suitable for the power (kW) of the product to be connected and located outside zones 0, 1, 2 and 3.

The installer must use suitably sectioned cables that must not be inferior to type H 05 VV-F.

WARNING: if the conditions indicated are not observed, the safety of the mini-pool may be compromised: in this case, the product guarantee and the manufacturer's responsibility for any direct or indirect damage caused by the product shall be void.

When the guarantee is voided, for the above-mentioned reason, only parts recognised as being defective will be replaced and costs relating to the labour necessary for product removal will not be covered.



MINI-POOL	AVENUE
DIMENSIONS cm	213X160X75
SEATS	4 PEOPLE
RECLINED SEAT	1 PERSON
L	1100
EMPTY WEIGHT KG	280
JETS	28
PUMP	1X2 SPEED 2250 Watt
BLOWER	NO
HEATER	3000 Watt
TOTAL CONSUMPTION KW	5250 Watt *

The overall dimension values are expressed in centimetres.
The actual dimensions may vary by +/- 0.5cm

AVENUE	CONNECTION	FUSES	HZ	Volts	kw total consumption
	SINGLE PHASE	1X25A	50 HZ	230 V 1N ~	5250 Wa*

* With active heater

ENCASEMENT SET-UP

Create a concrete compartment to accommodate the mini-pool, in accordance with the measurements shown in the drawing, making sure that it is perfectly level. Set up a compartment of at least 60 cm around the perimeter of the mini-pool to ensure accessibility to the hydraulic and electrical system. Create a collection and draining system at the bottom of the compartment.

It must also be possible to move the mini-pool at any time without having to damage the walls.

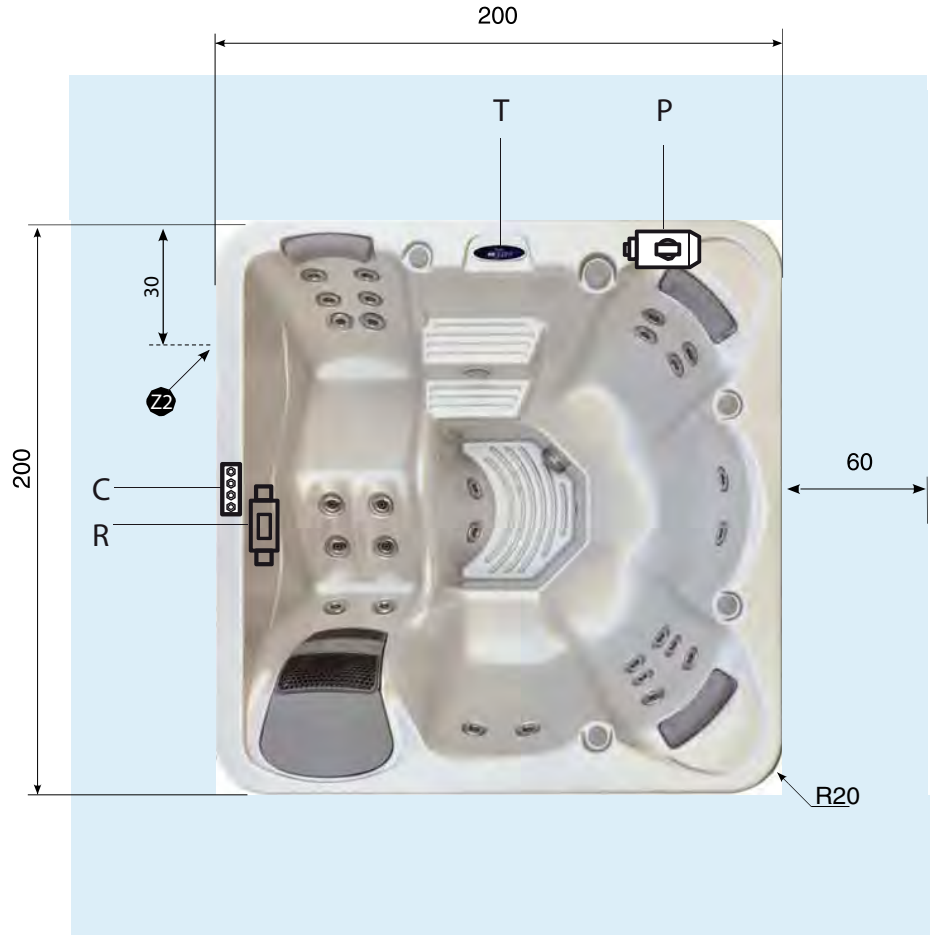
Provide aeration of a suitable measurement.

VENTILATION

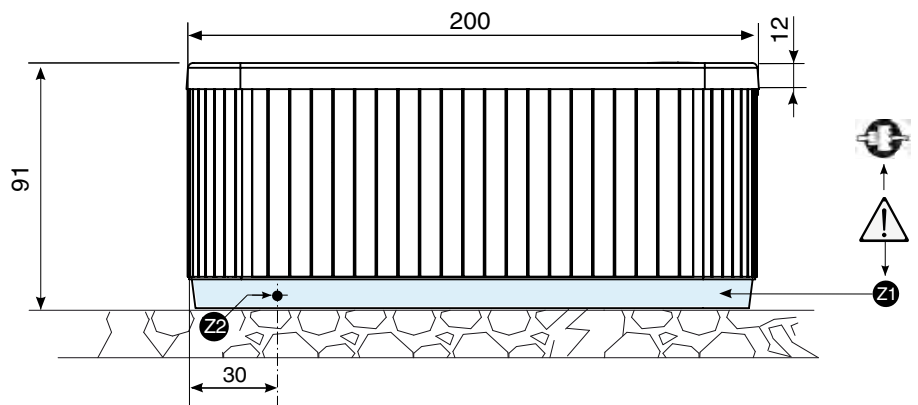
In the event of installation in a closed space, provide adequate ventilation of the environment itself.

LOAD SET-UP

It is advisable to use a flexible, external hose to fill the mini-pool, taking care not to immerse it to avoid any reflux of water into the water supply.



- P = Pump**
- R = Heater**
- C = Electrical control unit**
- T = Keypad**



Z1 = Electrical access point

make a hole (with dimensions suitable for passing the power cable through it) in one of the 4 sides of area Z1.

Z2 = Drain 3/4"